



<http://www.ebiz-tcf.eu>

DRAFT

IMPLEMENTATION GUIDE

TRANSACTION "GARMENT STOCK OFFER CHANGE"

Version: draft

Date of release: 17/5/2019

Document code: G030

technical Documentation: <http://www.ebiz.enea.it>

XML Schemas repository: <http://www.ebiz.enea.it/moda-ml/repository/schema/draft/default.asp>

Guides repository: <http://www.ebiz.enea.it/moda-ml/repository/guide/draft/default.asp>

Guide filename: G030-eBIZ-GarmentStockOfferChange.pdf

0. PREMISE

This document contains a proposal for the updating and extension of eBIZ specifications starting from the eBIZ version released as CEN CWA 16667 in 2013. Under the name of 'Draft version' it is reported the result of an extensive work of analysis and consultation aimed at developing and maintaining eBIZ specifications.

In particular, the content of this proposal is the result of various activities, mainly those carried out within the framework of the **eBIZ 4.0 project** funded by the European Commission, call COS-DESIGN-2015-3-06, topic COS-2015-DESIGN-2.

The technical contents are backwards compatible with the latest official published version.

1. BUSINESS DESCRIPTION

1.1 Scope

The document Garment Stock OfferChange can be used for the electronic transmission from the Trade organisation or the Garment company of modifications of the stock data already into the e-Stockflow service.

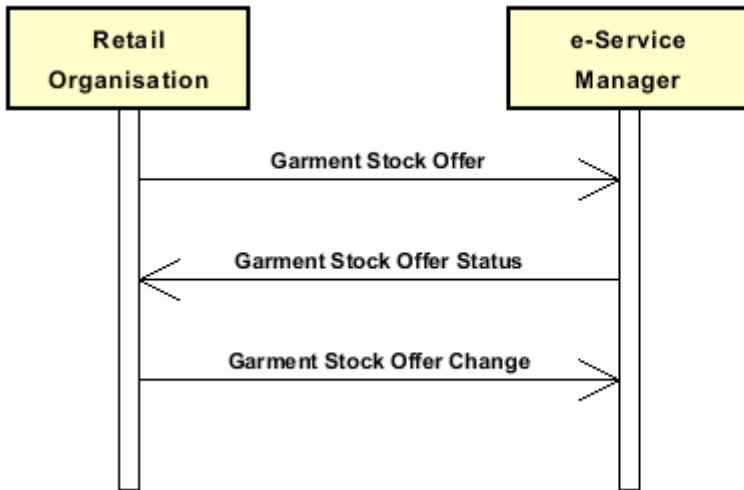
1.2 Generalities

The document is issued by the Trade organisation or the Garment company to modify an offer of garment stock through the e-Stockflow service.

Each document line must refer to one line of a former "Stock Offer", that can be cancelled (attribute "act" = A) or modified (attribute "act" = V); in the latter case the definition and classification of the article, the new assortment color/size as well as the new quantity and/or price should be specified

1.3. Possible scenario

On-line stock offer



2. IMPLEMENTATION GUIDE

2.1 General structure of XML document

All the business data that can be exchanged through this class of documents are shown in the following "document structure", that provides a simplified vision of the Schema.

In particular:

- the two numbers following each element define its "cardinality" (minimum and maximum number of occurrences); the minimum equal zero indicates that the element is optional, the minimum greater than zero indicates that is mandatory;
- the bold character denotes the complex elements (aggregates of simple elements) that were built for the sake of functionality and re-usability of some complex informations sets. The child elements in each parent element are easily spotted as "indented";
- the symbol "@" denotes an attribute of the preceding element; here "the usage indicator (optional, required, ...)" is shown in square brackets.

Structure

GARStockChange

@msgfunction [Optional] [Default= OR]

@version [Optional] [Default= draft]

@useProfile [Optional]

```
| GSOheader 1-1
| | msgN 1-1
| | msgID 0-1
| | msgDate 1-1
| | @dateForm [Optional]
| | refDoc 0-9
| | @docType [Required]
| | | docID 1-2
| | | @numberingOrg [Optional]
| | | docDate 0-1
| | | @dateForm [Optional]
| | | season 0-1
| | | @numberingOrg [Optional]
| | | @codeList [Optional]
| | | @listName [Optional]
| | | @listVersion [Optional]
| | | itemID 0-1
| | | attachment 0-1
| | | @uid [Optional]
| | | | fileName 0-1
| | | | @numberingOrg [Optional]
| | | | binaryObject 0-1
| | | | @format [Optional]
| | | | @mime [Optional]
| | | | @encoding [Optional]
| | | | @characterSet [Optional]
| | | | externalReference 0-99
| | | | | uri 1-1
| | | | | @isURL [Optional] [Default= true]
| | | | | mimeTypeCode 0-1
| | | | | formatCode 0-1
| | | | | encodingCode 0-1
| | | | | characterSetCode 0-1
| | supplier 1-1
| | @logo [Optional]
| | @sender [Optional]
| | | id 1-1
```

- | | | *@numberingOrg [Optional]*
- | | | additionalIdentifier 0-9
- | | | *@numberingOrg [Optional]*
- | | | *@idQualifier [Optional]*
- | | | legalName 0-1
- | | | dept 0-1
- | | | subDept 0-1
- | | | person 0-1
- | | | *@email [Optional]*
- | | | *@phone [Optional]*
- | | | *@fax [Optional]*
- | | | street 0-1
- | | | city 0-1
- | | | subCountry 0-1
- | | | country 0-1
- | | | postCode 0-1

| | **buyer 0-1**

- | | | *@logo [Optional]*
- | | | *@sender [Optional]*
- | | | id 1-1
- | | | *@numberingOrg [Optional]*
- | | | additionalIdentifier 0-9
- | | | *@numberingOrg [Optional]*
- | | | *@idQualifier [Optional]*
- | | | legalName 0-1
- | | | dept 0-1
- | | | subDept 0-1
- | | | person 0-1
- | | | *@email [Optional]*
- | | | *@phone [Optional]*
- | | | *@fax [Optional]*
- | | | street 0-1
- | | | city 0-1
- | | | subCountry 0-1
- | | | country 0-1
- | | | postCode 0-1

| **GSXbody 1-1**

| | **GSXitem 1-unbounded**

- | | | *@act [Required]*
- | | | lineN 1-1
- | | | *@VAT [Optional]*
- | | | lineID 0-1
- | | | **refDoc 1-1**
- | | | *@docType [Required]*
- | | | | docID 1-2
- | | | | *@numberingOrg [Optional]*
- | | | | docDate 0-1
- | | | | *@dateForm [Optional]*
- | | | | season 0-1
- | | | | *@numberingOrg [Optional]*
- | | | | *@codeList [Optional]*
- | | | | *@listName [Optional]*
- | | | | *@listVersion [Optional]*
- | | | | itemID 0-1
- | | | | **attachment 0-1**
- | | | | *@uid [Optional]*
- | | | | | fileName 0-1
- | | | | | *@numberingOrg [Optional]*
- | | | | | binaryObject 0-1
- | | | | | *@format [Optional]*

| @mime [Optional]
 | @encoding [Optional]
 | @characterSet [Optional]
 | **externalReference 0-99**
 | uri 1-1
 | @isURL [Optional] [Default= true]
 | mimeTypeCode 0-1
 | formatCode 0-1
 | encodingCode 0-1
 | characterSetCode 0-1
garmentCategory 0-1
 @numberingOrg [Optional]
 artGroup 0-1
 | @numberingOrg [Optional]
 | @codeList [Optional]
 | @listName [Optional]
 | @listVersion [Optional]
 artSubGroup 0-1
 | @numberingOrg [Optional]
 | @codeList [Optional]
 | @listName [Optional]
 | @listVersion [Optional]
 artSex 0-1
 | @numberingOrg [Optional]
 | @codeList [Optional]
 | @listName [Optional]
 | @listVersion [Optional]
 season 0-1
 | @numberingOrg [Optional]
 | @codeList [Optional]
 | @listName [Optional]
 | @listVersion [Optional]
goodsClassification 0-9
 macroClass 0-1
 | @numberingOrg [Optional]
 | @codeList [Optional]
 | @listName [Optional]
 | @listVersion [Optional]
 class 0-1
 | @numberingOrg [Optional]
 | @codeList [Optional]
 | @listName [Optional]
 | @listVersion [Optional]
 subclass 0-1
 | @numberingOrg [Optional]
 | @codeList [Optional]
 | @listName [Optional]
 | @listVersion [Optional]
 note 0-99
 | @numberingOrg [Optional]
 | @codeList [Optional]
 | @noteLabel [Optional]
 tradeMark 0-1
 commerceText 0-unbounded
 | @ln [Optional]
garmentCode 0-1
 @numberingOrg [Optional]
 - choose -
garmentCodeB 1-1
 | @numberingOrg [Optional]
 | mod 1-1

```

| | | | @numberingOrg [Optional]
| | | | @codeList [Optional]
| | | | @listName [Optional]
| | | | @listVersion [Optional]
| | | fabric 0-1
| | | | @numberingOrg [Optional]
| | | | @codeList [Optional]
| | | | @listName [Optional]
| | | | @listVersion [Optional]
| | | color 0-1
| | | | @numberingOrg [Optional]
| | | | @codeList [Optional]
| | | | @listName [Optional]
| | | | @listVersion [Optional]
| | | garmentVariant 0-9
| | | | variantType 1-1
| | | | | @numberingOrg [Optional]
| | | | | @codeList [Optional]
| | | | | @listName [Optional]
| | | | | @listVersion [Optional]
| | | | variantCode 1-1
| | | | | @numberingOrg [Optional]
| | | | | @codeList [Optional]
| | | | | @listName [Optional]
| | | | | @listVersion [Optional]
| | | drop 0-1
| | | | @codeList [Optional]
| | | size 0-1
| | | | @codeList [Optional]
| | | artGroup 0-1
| | | | @numberingOrg [Optional]
| | | | @codeList [Optional]
| | | | @listName [Optional]
| | | | @listVersion [Optional]
| | | added 0-9
| | | | @numberingOrg [Optional]
| | | | @addType [Optional]
| | | description 0-unbounded
| | | | @ln [Optional]

```

- or -

```

| | | | garmentCodeA 1-1
| | | | | art 1-1
| | | | | | @numberingOrg [Optional]
| | | | | | @codeList [Optional]
| | | | | | @listName [Optional]
| | | | | | @listVersion [Optional]
| | | | | description 0-unbounded
| | | | | @ln [Optional]

```

- end choose -

```

| | | qty 0-1
| | | | @um [Required]
| | | readyToSendDate 0-1
| | | | @dateForm [Optional]
| | | price 0-1
| | | | @um [Optional]
| | | | @priceQualifier [Optional] [Default= NET]
| | | | @currency [Optional]
| | | csRange 0-99
| | | | @numberingOrg [Optional]
| | | | @sizeSystemNat [Optional]
| | | | @sizeSystemSeg [Optional]

```

```

@sizeSystemBase [Optional]
@sizeSystemID [Optional]
| color 0-1
| @numberingOrg [Optional]
| @codeList [Optional]
| @listName [Optional]
| @listVersion [Optional]
| garmentVariant 0-9
| | variantType 1-1
| | @numberingOrg [Optional]
| | @codeList [Optional]
| | @listName [Optional]
| | @listVersion [Optional]
| | variantCode 1-1
| | @numberingOrg [Optional]
| | @codeList [Optional]
| | @listName [Optional]
| | @listVersion [Optional]
drop 0-1
@codeList [Optional]
sizeMatrix 1-1
| sizeRow 1-99
| | additionalComponentCode 0-9
| | @numberingOrg [Optional]
| | @codeList [Optional]
| | @listName [Optional]
| | @listVersion [Optional]
| | drop 0-1
| | @codeList [Optional]
| | size 1-1
| | @codeList [Optional]
| | qty 0-1
| | @um [Required]
| | itemsList 0-1
| | | qualityLevel 0-1
| | | @numberingOrg [Optional]
| | | @codeList [Optional]
| | | @listName [Optional]
| | | @listVersion [Optional]
| | | itemIdentification 1-unbounded
| | | | serialN 1-9
| | | | @numberingOrg [Optional]
| | | | @idQualifier [Optional]
stockAddress 0-1
@numberingOrg [Optional]
| city 1-1
| subCountry 1-1
| country 1-1
dtScheme 0-1
@taxType [Required]
| taxCategory 0-1
| taxRate 0-1
| legalRef 0-1
| @codeList [Required]
| note 0-99
| @numberingOrg [Optional]
| @codeList [Optional]
| @noteLabel [Optional]
note 0-99
@numberingOrg [Optional]
@codeList [Optional]

```


| | | @noteLabel [Optional]

2.2 Detailed description of document elements

Following tables show all elements (complex and simple) used in this document. Description includes: 1) element's information: xml tag, name, brief description, data type and syntax constraints; 2) information about use of the element in a particular position in the document: xpath and possible associated notes.

2.2.1 Complex elements (Aggregate Business Information Entities)

Complex elements are those elements whose content is composed of other elements (childs).Complex elements are alphabetically ordered.

attachment	an attached document. An attachment can refer to an external document or be included with the document being exchanged (XPath GARStockChange/GSOheader/refDoc/attachment) 0-1 (XPath GARStockChange/GSXbody/GSXitem/refDoc/attachment) 0-1
buyer	details of the Buyer (party that buys the good or service that is object of the current collaborative process) - base type: Nad, (XPath GARStockChange/GSOheader/buyer) 0-1
csRange	range of color-size for a fashion article (XPath GARStockChange/GSXbody/GSXitem/csRange) 0-99
dtScheme	set of data usable to declare the duty or tax applied (XPath GARStockChange/GSXbody/GSXitem/dtScheme) 0-1 - note: <i>recommended alternative to the attribute @VAT</i>
externalReference	details about an external object, such as a document stored at a remote location (XPath GARStockChange/GSXbody/GSXitem/refDoc/attachment/externalReference) 0-99 (XPath GARStockChange/GSOheader/refDoc/attachment/externalReference) 0-99
garmentCategory	classification of a garment article (XPath GARStockChange/GSXbody/GSXitem/garmentCategory) 0-1
garmentCode	codification of the garment product (XPath GARStockChange/GSXbody/GSXitem/garmentCode) 0-1
garmentCodeA	codification of the garment product- type A (XPath GARStockChange/GSXbody/GSXitem/garmentCode/garmentCodeA) 1-1 - note: <i>here the barcode EAN-13 or EAN-8 should be specified</i>
garmentCodeB	codification of the garment product - type B (XPath GARStockChange/GSXbody/GSXitem/garmentCode/garmentCodeB) 1-1
garmentVariant	garment product variant (XPath GARStockChange/GSXbody/GSXitem/csRange/garmentVariant) 0-9 - note: <i>used only if not already specified in the article code</i> (XPath GARStockChange/GSXbody/GSXitem/garmentCode/garmentCodeB/garmentVariant) 0-9
goodsClassification	goods classification of the item. (XPath GARStockChange/GSXbody/GSXitem/garmentCategory/goodsClassification) 0-9
GSOheader	Header of a document for on-line FASHION STOCK management (XPath GARStockChange/GSOheader) 1-1
GSXbody	body of the document GARMENT STOCK OFFER CHANGE (XPath GARStockChange/GSXbody) 1-1
GSXitem	line item of the document GARMENT STOCK OFFER CHANGE

	(XPath GARStockChange/GSXbody/GSXitem) 1-unbounded
itemIdentification	serial identification of a product unit (XPath GARStockChange/GSXbody/GSXitem/csRange/sizeMatrix/sizeRow/itemsList/itemIdentification) 1-unbounded - note: <i>identification of the single product unit contained in the list</i>
itemsList	list of the single product units (XPath GARStockChange/GSXbody/GSXitem/csRange/sizeMatrix/sizeRow/itemsList) 0-1 - note: <i>the usage in this position is alternative to its usage within the document line element</i>
refDoc	identification of a document and of an item thereof, to which the message makes reference (XPath GARStockChange/GSXbody/GSXitem/refDoc) 1-1 - note: <i>must be used to link the document line to the line of the Stock Offer that is being modified</i> (XPath GARStockChange/GSOheader/refDoc) 0-9
sizeMatrix	size matrix of an apparel product (XPath GARStockChange/GSXbody/GSXitem/csRange/sizeMatrix) 1-1
sizeRow	size matrix row of an apparel product (XPath GARStockChange/GSXbody/GSXitem/csRange/sizeMatrix/sizeRow) 1-99
stockAddress	physical location of a stock (XPath GARStockChange/GSXbody/GSXitem/stockAddress) 0-1
supplier	details of the Supplier (party that supplies the good or service that is object of the current collaborative process) - base type: Nad, (XPath GARStockChange/GSOheader/supplier) 1-1

2.2.2 Simple elements (Basic Business Information Entities)

Simple elements are those elements whose content is characterized by a data type plus a domain of possible values. Simple elements are alphabetically ordered.

@act	status that the current line assigns to the line addressed in the reference document; if it is already canceled it maintains the status. - base type: string, cod. table: NT5 http://www.ebiz.enea.it/moda-ml/repository/codelist/draft/gc_NT5.xml (XPath GARStockChange/GSXbody/GSXitem/@act) [Required]
added	additional code of the product (complementing the formers) - base type: string, max length: 80, (XPath GARStockChange/GSXbody/GSXitem/garmentCode/garmentCodeB/added) 0-9
additionalComponentCode	an additional code to identify a fashion product or a part of it (it is a way to codify the item, but it is not one of the codes to identify it). It is not a serial identifier. - base type: string, (XPath GARStockChange/GSXbody/GSXitem/csRange/sizeMatrix/sizeRow/additionalComponentCode) 0-9
additionalIdentifier	additional identification code of a Party, for example customs registries or others - base type: string, max length: 15, (XPath GARStockChange/GSOheader/supplier/additionalIdentifier) 0-9

	<p>- note: identifiers for example for exports, such as MID (Manufacturer Identification Code), EORI (E.O.R.I. - Economic Operator Registration and Identification)</p> <p>(XPath GARStockChange/GSOheader/buyer/additionalIdentifier) 0-9</p> <p>- note: identifiers for example for exports, such as MID (Manufacturer Identification Code), EORI (E.O.R.I. - Economic Operator Registration and Identification)</p>
@addType	<p>qualifier of the additional coding of a product</p> <p>- base type: string, cod. table: T44</p> <p>http://www.ebiz.enea.it/moda-ml/repository/codelist/draft/gc_T44.xml</p> <p>(XPath GARStockChange/GSXbody/GSXitem/garmentCode/garmentCodeB/added/@addType) [Optional]</p> <p>- nota: addType allows the clarification of the meaning of the added element content; it is strongly suggested to use it always.</p>
art	<p>article number of the product</p> <p>- base type: string, max length: 80,</p> <p>(XPath GARStockChange/GSXbody/GSXitem/garmentCode/garmentCodeA/art) 1-1</p>
artGroup	<p>code identifying a class of products</p> <p>- base type: string, max length: 40,</p> <p>(XPath GARStockChange/GSXbody/GSXitem/garmentCode/garmentCodeB/artGroup) 0-1</p> <p>(XPath GARStockChange/GSXbody/GSXitem/garmentCategory/artGroup) 0-1</p>
artSex	<p>code identifying the sex for which a fashion product is intended</p> <p>- base type: string, max length: 15,</p> <p>(XPath GARStockChange/GSXbody/GSXitem/garmentCategory/artSex) 0-1</p>
artSubGroup	<p>code identifying a sub-class of products</p> <p>- base type: string, max length: 40,</p> <p>(XPath GARStockChange/GSXbody/GSXitem/garmentCategory/artSubGroup) 0-1</p>
binaryObject	<p>a binary large object containing an attached document</p> <p>- base type: base64Binary,</p> <p>(XPath GARStockChange/GSOheader/refDoc/attachment/binaryObject) 0-1</p> <p>(XPath GARStockChange/GSXbody/GSXitem/refDoc/attachment/binaryObject) 0-1</p>
@characterSet	<p>the character set of the binary object if the mime type is text</p> <p>- base type: normalizedString,</p> <p>(XPath GARStockChange/GSOheader/refDoc/attachment/binaryObject/@characterSet) [Optional]</p> <p>(XPath GARStockChange/GSXbody/GSXitem/refDoc/attachment/binaryObject/@characterSet) [Optional]</p>
characterSetCode	<p>the character set of an external document</p> <p>- base type: normalizedString,</p> <p>(XPath GARStockChange/GSOheader/refDoc/attachment/externalReference/characterSetCode) 0-1</p> <p>(XPath GARStockChange/GSXbody/GSXitem/refDoc/attachment/externalReference/characterSetCode) 0-1</p>
city	<p>name of the city (town, village)</p> <p>- base type: string, max length: 40,</p> <p>(XPath GARStockChange/GSXbody/GSXitem/stockAddress/city) 1-1</p> <p>(XPath GARStockChange/GSOheader/supplier/city) 0-1</p> <p>(XPath GARStockChange/GSOheader/buyer/city) 0-1</p>
class	<p>a code indicating the category (macro-class, class or sub-class) of a commodity classification system the article belongs to.</p> <p>- base type: string,</p> <p>(XPath GARStockChange/GSXbody/GSXitem/garmentCategory/goodsClassification/class) 0-1</p>

<p>@codeList</p>	<p>it specifies the URL where the list of codes used to make an instance of the element can be found</p> <ul style="list-style-type: none"> - base type: string, max length: 255, (XPath GARStockChange/GSXbody/GSXitem/garmentCategory/season/@codeList) [Optional] (XPath GARStockChange/GSXbody/GSXitem/garmentCategory/artSubGroup/@codeList) [Optional] - nota: <i>this attribute should be ALTERNATIVE to the others</i> (XPath GARStockChange/GSXbody/GSXitem/garmentCategory/artGroup/@codeList) [Optional] - nota: <i>this attribute should be ALTERNATIVE to the others</i> (XPath GARStockChange/GSXbody/GSXitem/garmentCategory/artSex/@codeList) [Optional] - nota: <i>this attribute should be ALTERNATIVE to the others</i> (XPath GARStockChange/GSXbody/GSXitem/refDoc/season/@codeList) [Optional] (XPath GARStockChange/GSXbody/GSXitem/garmentCategory/goodsClassification/macroClass/@codeList) [Optional] (XPath GARStockChange/GSXbody/GSXitem/csRange/drop/@codeList) [Optional] (XPath GARStockChange/GSXbody/GSXitem/csRange/sizeMatrix/sizeRow/additionalComponentCode/@codeList) [Optional] (XPath GARStockChange/GSXbody/GSXitem/csRange/garmentVariant/variantCode/@codeList) [Optional] - nota: <i>this attribute should be ALTERNATIVE to the others</i> (XPath GARStockChange/GSXbody/GSXitem/csRange/color/@codeList) [Optional] - nota: <i>this attribute could be used as alternative to the others</i> (XPath GARStockChange/GSXbody/GSXitem/csRange/garmentVariant/variantType/@codeList) [Optional] - nota: <i>this attribute should be ALTERNATIVE to the others</i> (XPath GARStockChange/GSXbody/GSXitem/csRange/sizeMatrix/sizeRow/drop/@codeList) [Optional] (XPath GARStockChange/GSXbody/GSXitem/dtScheme/note/@codeList) [Optional] - nota: <i>must be used to provide (URL) the list of codes used in "noteLabel"</i> (XPath GARStockChange/GSXbody/GSXitem/note/@codeList) [Optional] - nota: <i>must be used to provide (URL) the list of codes used in "noteLabel"</i> (XPath GARStockChange/GSXbody/GSXitem/dtScheme/legalRef/@codeList) [Required] (XPath GARStockChange/GSXbody/GSXitem/csRange/sizeMatrix/sizeRow/size/@codeList) [Optional] (XPath GARStockChange/GSXbody/GSXitem/csRange/sizeMatrix/sizeRow/itemsList/qualityLevel/@codeList) [Optional] (XPath GARStockChange/GSXbody/GSXitem/garmentCode/garmentCodeA/art/@codeList) [Optional] - nota: <i>this attribute should be ALTERNATIVE to the others</i> (XPath GARStockChange/GSXbody/GSXitem/garmentCode/garmentCodeB/mod/@codeList) [Optional] - nota: <i>this attribute should be ALTERNATIVE to the others</i> (XPath GARStockChange/GSXbody/GSXitem/garmentCode/garmentCodeB/fabric/@codeList) [Optional] - nota: <i>this attribute should be ALTERNATIVE to the others</i> (XPath GARStockChange/GSXbody/GSXitem/garmentCategory/note/@codeList) [Optional] - nota: <i>must be used to provide (URL) the list of codes used in "noteLabel"</i> (XPath GARStockChange/GSXbody/GSXitem/garmentCategory/goodsClassification/class/@codeList) [Optional] (XPath GARStockChange/GSXbody/GSXitem/garmentCategory/goodsClassification/subClass/@codeList) [Optional] (XPath GARStockChange/GSXbody/GSXitem/garmentCode/garmentCodeB/color/@codeList) [Optional] - nota: <i>this attribute could be used as alternative to the others</i> (XPath GARStockChange/GSXbody/GSXitem/garmentCode/garmentCodeB/size/@codeList) [Optional] (XPath GARStockChange/GSXbody/GSXitem/garmentCode/garmentCodeB/artGroup/@codeList) [Optional] - nota: <i>this attribute should be ALTERNATIVE to the others</i>
------------------	---

	<p>(XPath GARStockChange/GSXbody/GSXitem/garmentCode/garmentCodeB/drop/@codeList) [Optional]</p> <p>(XPath GARStockChange/GSXbody/GSXitem/garmentCode/garmentCodeB/garmentVariant/variantType/@codeList) [Optional]</p> <p>- nota: <i>this attribute should be ALTERNATIVE to the others</i></p> <p>(XPath GARStockChange/GSXbody/GSXitem/garmentCode/garmentCodeB/garmentVariant/variantCode/@codeList) [Optional]</p> <p>- nota: <i>this attribute should be ALTERNATIVE to the others</i></p> <p>(XPath GARStockChange/GSOheader/refDoc/season/@codeList) [Optional]</p>
color	<p>colour number of the product, when not included in the model or fabric code</p> <p>- base type: string, max length: 15,</p> <p>(XPath GARStockChange/GSXbody/GSXitem/garmentCode/garmentCodeB/color) 0-1</p> <p>(XPath GARStockChange/GSXbody/GSXitem/csRange/color) 0-1</p> <p>- note: <i>used only if not already specified in the article code</i></p>
commerceText	<p>text usable for the full commercial description of a product</p> <p>- base type: string, max length: 400,</p> <p>(XPath GARStockChange/GSXbody/GSXitem/commerceText) 0-unbounded</p> <p>- note: <i>Only one instance of this element for each different value of 'ln' attribute (language)</i></p>
country	<p>code of the nation</p> <p>- base type: string, cod. table: T10</p> <p>http://www.ebiz.enea.it/moda-ml/repository/codelist/draft/gc_T10.xml</p> <p>(XPath GARStockChange/GSOheader/buyer/country) 0-1</p> <p>(XPath GARStockChange/GSXbody/GSXitem/stockAddress/country) 1-1</p> <p>(XPath GARStockChange/GSOheader/supplier/country) 0-1</p>
@currency	<p>currency in which a specified monetary data is expressed</p> <p>- base type: string, cod. table: T9</p> <p>http://www.ebiz.enea.it/moda-ml/repository/codelist/draft/gc_T9.xml</p> <p>(XPath GARStockChange/GSXbody/GSXitem/price/@currency) [Optional]</p> <p>- nota: <i>Currency referred by the price.</i></p>
@dateForm	<p>format used for the date</p> <p>- base type: string, cod. table: NT29</p> <p>http://www.ebiz.enea.it/moda-ml/repository/codelist/draft/gc_NT29.xml</p> <p>(XPath GARStockChange/GSXbody/GSXitem/readyToSendDate/@dateForm) [Optional]</p> <p>(XPath GARStockChange/GSXbody/GSXitem/refDoc/docDate/@dateForm) [Optional]</p> <p>(XPath GARStockChange/GSOheader/refDoc/docDate/@dateForm) [Optional]</p> <p>(XPath GARStockChange/GSOheader/msgDate/@dateForm) [Optional]</p>
dept	<p>name or code of a contact department within a Party</p> <p>- base type: string, max length: 40,</p> <p>(XPath GARStockChange/GSOheader/buyer/dept) 0-1</p> <p>(XPath GARStockChange/GSOheader/supplier/dept) 0-1</p>
description	<p>free text description. The content of the element must be unique, it might be translated and repeated into more languages (thus no more than one instance for each language).</p> <p>- base type: string, max length: 250,</p> <p>(XPath GARStockChange/GSXbody/GSXitem/garmentCode/garmentCodeB/description) 0-unbounded</p> <p>- note: <i>Product description</i></p> <p>(XPath GARStockChange/GSXbody/GSXitem/garmentCode/garmentCodeA/description) 0-unbounded</p> <p>- note: <i>Product description</i></p>
docDate	<p>date of issue of the referenced document, according to one of the patterns YYYY-MM-DD, YYYY-MM-DD:HH-MM or YYYY-WW.</p> <p>- base type: string,</p> <p>(XPath GARStockChange/GSXbody/GSXitem/refDoc/docDate) 0-1</p> <p>(XPath GARStockChange/GSOheader/refDoc/docDate) 0-1</p>

docID	<p>identification number of the referenced document SINCE 2008-1 ITS USE I N THE HEADER IS DISCOURAGED (REPLACED BY msgID)</p> <p>- base type: string, max length: 80, (XPath GARStockChange/GSXbody/GSXitem/refDoc/docID) 1-2 (XPath GARStockChange/GSOheader/refDoc/docID) 1-2</p>
@docType	<p>type or class to which the referenced document belongs</p> <p>- base type: string, cod. table: T21 http://www.ebiz.enea.it/moda-ml/repository/codelist/draft/gc_T21.xml (XPath GARStockChange/GSXbody/GSXitem/refDoc/@docType) [Required] (XPath GARStockChange/GSOheader/refDoc/@docType) [Required]</p>
drop	<p>drop number of the garment</p> <p>- base type: string, max length: 15, (XPath GARStockChange/GSXbody/GSXitem/csRange/drop) 0-1</p> <p>- note: <i>used only if not already specified in the article code</i> (XPath GARStockChange/GSXbody/GSXitem/garmentCode/ garmentCodeB/drop) 0-1</p> <p>- note: <i>Fill this element if the drop is the same for all the sizes of the model. Otherway specify it within the csRange element</i> (XPath GARStockChange/GSXbody/GSXitem/csRange/sizeMatrix/ sizeRow/drop) 0-1</p> <p>- note: <i>DEPRECATED, anyhow it is used only if not already specified in the article code or csRange</i></p>
@email	<p>electronic mail address of the contact person within a Party</p> <p>- base type: string, max length: 250, (XPath GARStockChange/GSOheader/buyer/person/@email) [Optional] (XPath GARStockChange/GSOheader/supplier/person/@email) [Optional]</p>
@encoding	<p>specifies the decoding algorithm of the binary object</p> <p>- base type: normalizedString, (XPath GARStockChange/GSOheader/refDoc/attachment/ binaryObject/@encoding) [Optional] (XPath GARStockChange/GSXbody/GSXitem/refDoc/attachment/ binaryObject/@encoding) [Optional]</p>
encodingCode	<p>the encoding/decoding algorithm used with the external object</p> <p>- base type: normalizedString, (XPath GARStockChange/GSXbody/GSXitem/refDoc/attachment/ externalReference/encodingCode) 0-1 (XPath GARStockChange/GSOheader/refDoc/attachment/ externalReference/encodingCode) 0-1</p>
fabric	<p>fabric number of the garment</p> <p>- base type: string, max length: 15, (XPath GARStockChange/GSXbody/GSXitem/garmentCode/ garmentCodeB/fabric) 0-1</p>
@fax	<p>fax number of the contact person within a Party</p> <p>- base type: string, max length: 35, (XPath GARStockChange/GSOheader/supplier/person/@fax) [Optional] (XPath GARStockChange/GSOheader/buyer/person/@fax) [Optional]</p>
fileName	<p>unique identifier (name) of the file</p> <p>- base type: string, max length: 255, (XPath GARStockChange/GSXbody/GSXitem/refDoc/attachment/fileName) 0-1 (XPath GARStockChange/GSOheader/refDoc/attachment/fileName) 0-1</p>
@format	<p>the format of the binary content</p> <p>- base type: string, (XPath GARStockChange/GSOheader/refDoc/attachment/ binaryObject/@format) [Optional] (XPath GARStockChange/GSXbody/GSXitem/refDoc/attachment/ binaryObject/@format) [Optional]</p>

formatCode	<p>the format of the external object</p> <ul style="list-style-type: none"> - base type: normalizedString, <p>(XPath GARStockChange/GSXbody/GSXitem/refDoc/attachment/externalReference/formatCode) 0-1 (XPath GARStockChange/GSOheader/refDoc/attachment/externalReference/formatCode) 0-1</p>
id	<p>primary identification code of a Party; it is recommended the format: nation code (ISO 3166) + VAT identification number (11 crt), with the qualifier "numberingOrg"= MF</p> <ul style="list-style-type: none"> - base type: string, max length: 15, <p>(XPath GARStockChange/GSOheader/buyer/id) 1-1 (XPath GARStockChange/GSOheader/supplier/id) 1-1</p>
@idQualifier	<p>Qualification of the identifier.</p> <ul style="list-style-type: none"> - base type: string, <p>(XPath GARStockChange/GSOheader/supplier/additionalIdentifier/@idQualifier) [Optional]</p> <p>- nota: <i>this attribute should be used when the numberingOrg attribute is not enough to declare the type of identifier</i> (XPath GARStockChange/GSXbody/GSXitem/csRange/sizeMatrix/sizeRow/itemsList/itemIdentification/serialN/@idQualifier) [Optional]</p> <p>- nota: <i>this attribute should be used when the numberingOrg attribute is not enough to declare the type of serial identifier</i> (XPath GARStockChange/GSOheader/buyer/additionalIdentifier/@idQualifier) [Optional]</p> <p>- nota: <i>this attribute should be used when the numberingOrg attribute is not enough to declare the type of identifier</i></p>
@isURL	<p>it indicates if the referred element is an URL (true) or not (false)</p> <ul style="list-style-type: none"> - base type: boolean, <p>(XPath GARStockChange/GSOheader/refDoc/attachment/externalReference/uri/@isURL) [Optional] [Default= true]</p> <p>- nota: <i>usage of URLs is recommended</i> (XPath GARStockChange/GSXbody/GSXitem/refDoc/attachment/externalReference/uri/@isURL) [Optional] [Default= true]</p> <p>- nota: <i>usage of URLs is recommended</i></p>
itemID	<p>number of the line/item of the referenced document</p> <ul style="list-style-type: none"> - base type: string, max length: 6, <p>(XPath GARStockChange/GSXbody/GSXitem/refDoc/itemID) 0-1 (XPath GARStockChange/GSOheader/refDoc/itemID) 0-1</p>
legalName	<p>legal name of a Party</p> <ul style="list-style-type: none"> - base type: string, max length: 250, <p>(XPath GARStockChange/GSOheader/supplier/legalName) 0-1 (XPath GARStockChange/GSOheader/buyer/legalName) 0-1</p>
legalRef	<p>legal reference of the duty or tax or fee category</p> <ul style="list-style-type: none"> - base type: string, <p>(XPath GARStockChange/GSXbody/GSXitem/dtScheme/legalRef) 0-1</p>
lineID	<p>unique identifier of the line item of the business document; it is set by the role that produces the document.</p> <ul style="list-style-type: none"> - base type: string, max length: 30, <p>(XPath GARStockChange/GSXbody/GSXitem/lineID) 0-1</p>
lineN	<p>number of the line item of the present message (xml document); it is set by the role that produces the document. Usually it is a progressive number, but not always.</p> <ul style="list-style-type: none"> - base type: positiveInteger, min inclusive: 1, max inclusive: 9999, <p>(XPath GARStockChange/GSXbody/GSXitem/lineN) 1-1</p>

<p>@listName</p>	<p>the name of the list of codes used to make an instance of the element (it might be thought as descriptive element, i.e. 'fabric printing technologies', or not, i.e. "T264")</p> <ul style="list-style-type: none"> - base type: string, max length: 40, (XPath GARStockChange/GSXbody/GSXitem/garmentCode/garmentCodeB/artGroup/@listName) [Optional] - nota: <i>this attribute should always be used coupled with “numberingOrg”</i> (XPath GARStockChange/GSXbody/GSXitem/csRange/sizeMatrix/sizeRow/itemsList/qualityLevel/@listName) [Optional] (XPath GARStockChange/GSXbody/GSXitem/garmentCode/garmentCodeB/fabric/@listName) [Optional] - nota: <i>this attribute should always be used coupled with “numberingOrg”</i> (XPath GARStockChange/GSXbody/GSXitem/garmentCategory/artSex/@listName) [Optional] - nota: <i>this attribute should always be used coupled with “numberingOrg”</i> (XPath GARStockChange/GSXbody/GSXitem/garmentCategory/goodsClassification/class/@listName) [Optional] (XPath GARStockChange/GSXbody/GSXitem/garmentCategory/goodsClassification/subClass/@listName) [Optional] (XPath GARStockChange/GSXbody/GSXitem/csRange/color/@listName) [Optional] - nota: <i>this attribute should always be used coupled with “numberingOrg”</i> (XPath GARStockChange/GSXbody/GSXitem/garmentCode/garmentCodeB/garmentVariant/variantType/@listName) [Optional] - nota: <i>this attribute should always be used coupled with “numberingOrg”</i> (XPath GARStockChange/GSXbody/GSXitem/garmentCode/garmentCodeB/color/@listName) [Optional] - nota: <i>this attribute should always be used coupled with “numberingOrg”</i> (XPath GARStockChange/GSXbody/GSXitem/refDoc/season/@listName) [Optional] (XPath GARStockChange/GSXbody/GSXitem/garmentCode/garmentCodeB/garmentVariant/variantCode/@listName) [Optional] - nota: <i>this attribute should always be used coupled with “numberingOrg”</i> (XPath GARStockChange/GSOheader/refDoc/season/@listName) [Optional] (XPath GARStockChange/GSXbody/GSXitem/csRange/sizeMatrix/sizeRow/additionalComponentCode/@listName) [Optional] (XPath GARStockChange/GSXbody/GSXitem/csRange/garmentVariant/variantType/@listName) [Optional] - nota: <i>this attribute should always be used coupled with “numberingOrg”</i> (XPath GARStockChange/GSXbody/GSXitem/garmentCategory/artGroup/@listName) [Optional] - nota: <i>this attribute should always be used coupled with “numberingOrg”</i> (XPath GARStockChange/GSXbody/GSXitem/garmentCategory/season/@listName) [Optional] (XPath GARStockChange/GSXbody/GSXitem/garmentCode/garmentCodeB/mod/@listName) [Optional] - nota: <i>this attribute should always be used coupled with “numberingOrg”</i> (XPath GARStockChange/GSXbody/GSXitem/garmentCategory/artSubGroup/@listName) [Optional] - nota: <i>this attribute should always be used coupled with “numberingOrg”</i> (XPath GARStockChange/GSXbody/GSXitem/garmentCode/garmentCodeA/art/@listName) [Optional] - nota: <i>this attribute should always be used coupled with “numberingOrg”</i> (XPath GARStockChange/GSXbody/GSXitem/csRange/garmentVariant/variantCode/@listName) [Optional] - nota: <i>this attribute should always be used coupled with “numberingOrg”</i> (XPath GARStockChange/GSXbody/GSXitem/garmentCategory/goodsClassification/macroClass/@listName) [Optional]
<p>@listVersion</p>	<p>it specifies the version of the list of codes used to make an instance of the element</p> <ul style="list-style-type: none"> - base type: string, max length: 6, (XPath GARStockChange/GSXbody/GSXitem/garmentCode/garmentCodeB/color/@listVersion) [Optional] - nota: <i>this attribute should always be used coupled with “numberingOrg” and “listName”</i>

(XPath GARStockChange/GSXbody/GSXitem/garmentCode/garmentCodeB/fabric/@listVersion) [Optional]
- nota: *this attribute should always be used coupled with “numberingOrg” and “listName”*

(XPath GARStockChange/GSXbody/GSXitem/csRange/color/@listVersion) [Optional]
- nota: *this attribute should always be used coupled with “numberingOrg” and “listName”*

(XPath GARStockChange/GSXbody/GSXitem/csRange/garmentVariant/variantType/@listVersion) [Optional]
- nota: *this attribute should always be used coupled with “numberingOrg” and “listName”*

(XPath GARStockChange/GSXbody/GSXitem/csRange/garmentVariant/variantCode/@listVersion) [Optional]
- nota: *this attribute should always be used coupled with “numberingOrg” and “listName”*

(XPath GARStockChange/GSXbody/GSXitem/garmentCode/garmentCodeA/art/@listVersion) [Optional]
- nota: *this attribute should always be used coupled with “numberingOrg” and “listName”*

(XPath GARStockChange/GSXbody/GSXitem/refDoc/season/@listVersion) [Optional]
(XPath GARStockChange/GSXbody/GSXitem/csRange/sizeMatrix/sizeRow/additionalComponentCode/@listVersion) [Optional]
(XPath GARStockChange/GSXbody/GSXitem/garmentCode/garmentCodeB/artGroup/@listVersion) [Optional]
- nota: *this attribute should always be used coupled with “numberingOrg” and “listName”*

(XPath GARStockChange/GSOheader/refDoc/season/@listVersion) [Optional]
(XPath GARStockChange/GSXbody/GSXitem/garmentCode/garmentCodeB/garmentVariant/variantType/@listVersion) [Optional]
- nota: *this attribute should always be used coupled with “numberingOrg” and “listName”*

(XPath GARStockChange/GSXbody/GSXitem/csRange/sizeMatrix/sizeRow/itemsList/qualityLevel/@listVersion) [Optional]
(XPath GARStockChange/GSXbody/GSXitem/garmentCode/garmentCodeB/garmentVariant/variantCode/@listVersion) [Optional]
- nota: *this attribute should always be used coupled with “numberingOrg” and “listName”*

(XPath GARStockChange/GSXbody/GSXitem/garmentCode/garmentCodeB/mod/@listVersion) [Optional]
- nota: *this attribute should always be used coupled with “numberingOrg” and “listName”*

(XPath GARStockChange/GSXbody/GSXitem/garmentCategory/goodsClassification/macroClass/@listVersion) [Optional]
(XPath GARStockChange/GSXbody/GSXitem/garmentCategory/season/@listVersion) [Optional]
(XPath GARStockChange/GSXbody/GSXitem/garmentCategory/goodsClassification/subClass/@listVersion) [Optional]
(XPath GARStockChange/GSXbody/GSXitem/garmentCategory/goodsClassification/class/@listVersion) [Optional]
(XPath GARStockChange/GSXbody/GSXitem/garmentCategory/artSubGroup/@listVersion) [Optional]
- nota: *this attribute should always be used coupled with “numberingOrg” and “listName”*

(XPath GARStockChange/GSXbody/GSXitem/garmentCategory/artGroup/@listVersion) [Optional]
- nota: *this attribute should always be used coupled with “numberingOrg” and “listName”*

(XPath GARStockChange/GSXbody/GSXitem/garmentCategory/artSex/@listVersion) [Optional]
- nota: *this attribute should always be used coupled with “numberingOrg” and “listName”*

@ln	Language code. - base type: string, (XPath GARStockChange/GSXbody/GSXitem/commerceText/@ln) [Optional] (XPath GARStockChange/GSXbody/GSXitem/garmentCode/garmentCodeB/description/@ln) [Optional] (XPath GARStockChange/GSXbody/GSXitem/garmentCode/garmentCodeA/description/@ln) [Optional]
@logo	company logo (URL of the image jpeg or gif). It is recommended that the width of the image does not exceed 640 pixel. - base type: string, max length: 255, (XPath GARStockChange/GSOheader/supplier/@logo) [Optional] (XPath GARStockChange/GSOheader/buyer/@logo) [Optional]
macroClass	a code indicating the category (macro-class, class or sub-class) of a commodity classification system the article belongs to. - base type: string, (XPath GARStockChange/GSXbody/GSXitem/garmentCategory/goodsClassification/macroClass) 0-1
@mime	the mime type of the binary object - base type: normalizedString, (XPath GARStockChange/GSOheader/refDoc/attachment/binaryObject/@mime) [Optional] (XPath GARStockChange/GSXbody/GSXitem/refDoc/attachment/binaryObject/@mime) [Optional]
mimeCode	mime type of the external object - base type: normalizedString, (XPath GARStockChange/GSXbody/GSXitem/refDoc/attachment/externalReference/mimeCode) 0-1 (XPath GARStockChange/GSOheader/refDoc/attachment/externalReference/mimeCode) 0-1
mod	model number of the garment - base type: string, max length: 15, (XPath GARStockChange/GSXbody/GSXitem/garmentCode/garmentCodeB/mod) 1-1
msgDate	date of issue of the present message (xml document), according to one of the patterns YYYY-MM-DD, YYYY-MM-DD:HH-MM or YYYY-WW. - base type: string, (XPath GARStockChange/GSOheader/msgDate) 1-1
@msgfunction	function performed by the present message with regards to the transmission - base type: string, cod. table: NT18 http://www.ebiz.enea.it/moda-ml/repository/codelist/draft/gc_NT18.xml (XPath GARStockChange/@msgfunction) [Optional] [Default= OR]
msgID	key identifier of the business document in the information system of the issuing Party. In case of more despatches of the same business document, it is unchanged. - base type: string, max length: 35, (XPath GARStockChange/GSOheader/msgID) 0-1
msgN	identification number given to the message (xml document) by its issuer. In case of more despatches of the same business document, it changes. - base type: string, max length: 35, (XPath GARStockChange/GSOheader/msgN) 1-1
note	free text or structured (computer processing) note. For note structuring use the attributes "noteLabel" and "codelist" - base type: string, max length: 350, (XPath GARStockChange/GSXbody/GSXitem/note) 0-99 (XPath GARStockChange/GSXbody/GSXitem/dtScheme/note) 0-99 (XPath GARStockChange/GSXbody/GSXitem/garmentCategory/note) 0-99

@noteLabel	<p>subject qualifier of a note</p> <ul style="list-style-type: none"> - base type: string, max length: 35, (XPath GARStockChange/GSXbody/GSXitem/dtScheme/note/@noteLabel) [Optional] - nota: <i>must be used to qualify the subject of the note</i> (XPath GARStockChange/GSXbody/GSXitem/note/@noteLabel) [Optional] - nota: <i>must be used to qualify the subject of the note</i> (XPath GARStockChange/GSXbody/GSXitem/garmentCategory/note/@noteLabel) [Optional] - nota: <i>must be used to qualify the subject of the note</i>
@numberingOrg	<p>code specifying the organisation who has created or owns the coding or numbering system</p> <ul style="list-style-type: none"> - base type: string, cod. table: NT6 http://www.ebiz.enea.it/moda-ml/repository/codelist/draft/gc_NT6.xml (XPath GARStockChange/GSXbody/GSXitem/csRange/@numberingOrg) [Optional] (XPath GARStockChange/GSXbody/GSXitem/garmentCategory/season/@numberingOrg) [Optional] (XPath GARStockChange/GSOheader/refDoc/attachment/fileName/@numberingOrg) [Optional] (XPath GARStockChange/GSXbody/GSXitem/csRange/sizeMatrix/sizeRow/additionalComponentCode/@numberingOrg) [Optional] (XPath GARStockChange/GSXbody/GSXitem/refDoc/docID/@numberingOrg) [Optional] - nota: <i>here can be specified whose document numbering is used (e.g.: Client, Supplier, ..)</i> (XPath GARStockChange/GSXbody/GSXitem/garmentCategory/@numberingOrg) [Optional] (XPath GARStockChange/GSOheader/refDoc/season/@numberingOrg) [Optional] (XPath GARStockChange/GSXbody/GSXitem/csRange/garmentVariant/variantCode/@numberingOrg) [Optional] - nota: <i>this attribute should be used either single or coupled with "listName" and "listVersion"</i> (XPath GARStockChange/GSXbody/GSXitem/garmentCode/garmentCodeB/fabric/@numberingOrg) [Optional] - nota: <i>this attribute should be used either single or coupled with "listName" and "listVersion"</i> (XPath GARStockChange/GSXbody/GSXitem/csRange/garmentVariant/variantType/@numberingOrg) [Optional] - nota: <i>this attribute should be used either single or coupled with "listName" and "listVersion"</i> (XPath GARStockChange/GSXbody/GSXitem/garmentCode/garmentCodeB/mod/@numberingOrg) [Optional] - nota: <i>this attribute should be ALTERNATIVE to the others</i> (XPath GARStockChange/GSXbody/GSXitem/garmentCategory/artSubGroup/@numberingOrg) [Optional] - nota: <i>this attribute should be used either single or coupled with "listName" and "listVersion"</i> (XPath GARStockChange/GSXbody/GSXitem/note/@numberingOrg) [Optional] (XPath GARStockChange/GSXbody/GSXitem/refDoc/season/@numberingOrg) [Optional] (XPath GARStockChange/GSXbody/GSXitem/garmentCode/garmentCodeB/@numberingOrg) [Optional] (XPath GARStockChange/GSXbody/GSXitem/garmentCategory/artSex/@numberingOrg) [Optional] - nota: <i>this attribute should be used either single or coupled with "listName" and "listVersion"</i> (XPath GARStockChange/GSXbody/GSXitem/csRange/color/@numberingOrg) [Optional] - nota: <i>this attribute should be used either single or coupled with "listName" and "listVersion"</i> (XPath GARStockChange/GSXbody/GSXitem/garmentCode/@numberingOrg) [Optional]

	<p>(XPath GARStockChange/GSXbody/GSXitem/garmentCode/garmentCodeB/artGroup/@numberingOrg) [Optional]</p> <p>- nota: <i>this attribute should be used either single or coupled with "listName" and "listVersion"</i></p> <p>(XPath GARStockChange/GSXbody/GSXitem/garmentCategory/goodsClassification/subClass/@numberingOrg) [Optional]</p> <p>(XPath GARStockChange/GSXbody/GSXitem/garmentCode/garmentCodeB/garmentVariant/variantType/@numberingOrg) [Optional]</p> <p>- nota: <i>this attribute should be used either single or coupled with "listName" and "listVersion"</i></p> <p>(XPath GARStockChange/GSXbody/GSXitem/garmentCode/garmentCodeB/added/@numberingOrg) [Optional]</p> <p>(XPath GARStockChange/GSXbody/GSXitem/dtScheme/note/@numberingOrg) [Optional]</p> <p>(XPath GARStockChange/GSXbody/GSXitem/garmentCategory/note/@numberingOrg) [Optional]</p> <p>(XPath GARStockChange/GSXbody/GSXitem/garmentCode/garmentCodeB/garmentVariant/variantCode/@numberingOrg) [Optional]</p> <p>- nota: <i>this attribute should be used either single or coupled with "listName" and "listVersion"</i></p> <p>(XPath GARStockChange/GSOheader/buyer/additionalIdentifier/@numberingOrg) [Optional]</p> <p>- nota: <i>here the issuer of the identifier must be specified</i></p> <p>(XPath GARStockChange/GSXbody/GSXitem/garmentCategory/artGroup/@numberingOrg) [Optional]</p> <p>- nota: <i>this attribute should be used either single or coupled with "listName" and "listVersion"</i></p> <p>(XPath GARStockChange/GSXbody/GSXitem/csRange/sizeMatrix/sizeRow/itemsList/itemIdentification/serialN/@numberingOrg) [Optional]</p> <p>- nota: <i>here the issuer of the serial number must be specified (when different from the Supplier)</i></p> <p>(XPath GARStockChange/GSXbody/GSXitem/csRange/sizeMatrix/sizeRow/itemsList/qualityLevel/@numberingOrg) [Optional]</p> <p>(XPath GARStockChange/GSOheader/supplier/additionalIdentifier/@numberingOrg) [Optional]</p> <p>- nota: <i>here the issuer of the identifier must be specified</i></p> <p>(XPath GARStockChange/GSOheader/buyer/id/@numberingOrg) [Optional]</p> <p>(XPath GARStockChange/GSOheader/refDoc/docID/@numberingOrg) [Optional]</p> <p>- nota: <i>here can be specified whose document numbering is used (e.g.: Client, Supplier, ..)</i></p> <p>(XPath GARStockChange/GSXbody/GSXitem/garmentCategory/goodsClassification/macroClass/@numberingOrg) [Optional]</p> <p>(XPath GARStockChange/GSXbody/GSXitem/garmentCode/garmentCodeB/color/@numberingOrg) [Optional]</p> <p>- nota: <i>this attribute should be used either single or coupled with "listName" and "listVersion"</i></p> <p>(XPath GARStockChange/GSOheader/supplier/id/@numberingOrg) [Optional]</p> <p>(XPath GARStockChange/GSXbody/GSXitem/stockAddress/@numberingOrg) [Optional]</p> <p>- nota: <i>to be use when city and sub-country are specified with a proprietary code</i></p> <p>(XPath GARStockChange/GSXbody/GSXitem/garmentCategory/goodsClassification/class/@numberingOrg) [Optional]</p> <p>(XPath GARStockChange/GSXbody/GSXitem/refDoc/attachment/fileName/@numberingOrg) [Optional]</p> <p>(XPath GARStockChange/GSXbody/GSXitem/garmentCode/garmentCodeA/art/@numberingOrg) [Optional]</p> <p>- nota: <i>this attribute should be used either single or coupled with "listName" and "listVersion"</i></p>
person	<p>name of the contact person within a Party</p> <p>- base type: string, max length: 40,</p> <p>(XPath GARStockChange/GSOheader/supplier/person) 0-1</p> <p>(XPath GARStockChange/GSOheader/buyer/person) 0-1</p>

@phone	<p>phone number of the contact person within a Party</p> <ul style="list-style-type: none"> - base type: string, max length: 35, (XPath GARStockChange/GSOheader/supplier/person/@phone) [Optional] (XPath GARStockChange/GSOheader/buyer/person/@phone) [Optional]
postCode	<p>code defining the postal zone</p> <ul style="list-style-type: none"> - base type: string, max length: 10, (XPath GARStockChange/GSOheader/supplier/postCode) 0-1 (XPath GARStockChange/GSOheader/buyer/postCode) 0-1
price	<p>unit price of the article, object or service specified</p> <ul style="list-style-type: none"> - base type: decimal, min inclusive: 0, fraction digits: 4, (XPath GARStockChange/GSXbody/GSXitem/price) 0-1
@priceQualifier	<p>type of price with reference to discount and taxes</p> <ul style="list-style-type: none"> - base type: string, cod. table: NT20 http://www.ebiz.enea.it/moda-ml/repository/codelist/draft/gc_NT20.xml (XPath GARStockChange/GSXbody/GSXitem/price/@priceQualifier) [Optional] [Default= NET]
qty	<p>net quantity of the article or object correlated, qualified by the function of the document (ordering, delivering, ..) and by the context</p> <ul style="list-style-type: none"> - base type: decimal, min inclusive: 0, fraction digits: 2, (XPath GARStockChange/GSXbody/GSXitem/csRange/sizeMatrix/sizeRow/qty) 0-1 (XPath GARStockChange/GSXbody/GSXitem/qty) 0-1
qualityLevel	<p>the product quality level (first choice, second choice,...).</p> <ul style="list-style-type: none"> - base type: string, (XPath GARStockChange/GSXbody/GSXitem/csRange/sizeMatrix/sizeRow/itemsList/qualityLevel) 0-1
readyToSendDate	<p>date of goods ready to despatch, according to one of the patterns YYYY-M M-DD, YYYY-MM-DD:HH-MM or YYYY-WW.</p> <ul style="list-style-type: none"> - base type: string, (XPath GARStockChange/GSXbody/GSXitem/readyToSendDate) 0-1
season	<p>sale season; defined as: season (1 crt) + year (4 crt) - season: S/S=1 A/W=2 Spring=3 Summer=4 Autumn=5 Winter=6: for more than four seasons use alphabetic sequence: 1st season=A 2nd season=B etc.etc.</p> <ul style="list-style-type: none"> - base type: string, max length: 15, (XPath GARStockChange/GSXbody/GSXitem/refDoc/season) 0-1 - note: <i>here indicates the season to which the referenced document belongs</i> (XPath GARStockChange/GSOheader/refDoc/season) 0-1 - note: <i>here indicates the season to which the referenced document belongs</i> (XPath GARStockChange/GSXbody/GSXitem/garmentCategory/season) 0-1
@sender	<p>qualifier that specifies the Party issuing of the document</p> <ul style="list-style-type: none"> - base type: boolean, (XPath GARStockChange/GSOheader/buyer/@sender) [Optional] - nota: <i>This attribute is mandatory when the STYLESHEET must be used</i> (XPath GARStockChange/GSOheader/supplier/@sender) [Optional] - nota: <i>This attribute is mandatory when the STYLESHEET must be used</i>
serialN	<p>serial number used for the identification of a physical unit</p> <ul style="list-style-type: none"> - base type: string, max length: 250, (XPath GARStockChange/GSXbody/GSXitem/csRange/sizeMatrix/sizeRow/itemsList/itemIdentification/serialN) 1-9 <hr/> <p>AAAA-WARNING! - text not AVAILABLE n. 245 - In=en</p> <ul style="list-style-type: none"> - note: <i>multiple values of serialN are allowed for different representations of the serial identifier of the same product unit. Instances of serialN must differ at least for one value of numberingOrg and idQualifier.</i>
size	<p>size number of a fashion product (knitwear, clothing, ..)</p> <ul style="list-style-type: none"> - base type: string, max length: 15, (XPath GARStockChange/GSXbody/GSXitem/garmentCode/garmentCodeB/size) 0-1

	(XPath GARStockChange/GSXbody/GSXitem/csRange/sizeMatrix/sizeRow/size) 1-1
@sizeSystemBase	base of the size system - base type: string, cod. table: T423 http://www.ebiz.enea.it/moda-ml/repository/codelist/draft/gc_T423.xml (XPath GARStockChange/GSXbody/GSXitem/csRange/@sizeSystemBase) [Optional]
@sizeSystemID	the identifier of the size system. - base type: string, (XPath GARStockChange/GSXbody/GSXitem/csRange/@sizeSystemID) [Optional]
@sizeSystemNat	nation or agency identifying the size system - base type: string, cod. table: T421 http://www.ebiz.enea.it/moda-ml/repository/codelist/draft/gc_T421.xml (XPath GARStockChange/GSXbody/GSXitem/csRange/@sizeSystemNat) [Optional]
@sizeSystemSeg	market segment identifying the size system - base type: string, cod. table: T422 http://www.ebiz.enea.it/moda-ml/repository/codelist/draft/gc_T422.xml (XPath GARStockChange/GSXbody/GSXitem/csRange/@sizeSystemSeg) [Optional]
street	street and building number identifying a location - base type: string, max length: 80, (XPath GARStockChange/GSOheader/supplier/street) 0-1 (XPath GARStockChange/GSOheader/buyer/street) 0-1
subClass	a code indicating the category (macro-class, class or sub-class) of a commodity classification system the article belongs to. - base type: string, (XPath GARStockChange/GSXbody/GSXitem/garmentCategory/goodsClassification/subClass) 0-1
subCountry	short name or code of the sub-country entity - base type: string, max length: 9, (XPath GARStockChange/GSOheader/supplier/subCountry) 0-1 (XPath GARStockChange/GSXbody/GSXitem/stockAddress/subCountry) 1-1 (XPath GARStockChange/GSOheader/buyer/subCountry) 0-1
subDept	name or code of a contact department within a Party - base type: string, max length: 40, (XPath GARStockChange/GSOheader/supplier/subDept) 0-1 (XPath GARStockChange/GSOheader/buyer/subDept) 0-1
taxCategory	duty or tax or fee category - base type: string, cod. table: T62 http://www.ebiz.enea.it/moda-ml/repository/codelist/draft/gc_T62.xml (XPath GARStockChange/GSXbody/GSXitem/dtScheme/taxCategory) 0-1
taxRate	duty or tax or fee percent rate - base type: string, (XPath GARStockChange/GSXbody/GSXitem/dtScheme/taxRate) 0-1
@taxType	duty or tax or fee type - base type: string, cod. table: T61 http://www.ebiz.enea.it/moda-ml/repository/codelist/draft/gc_T61.xml (XPath GARStockChange/GSXbody/GSXitem/dtScheme/@taxType) [Required]
tradeMark	name of the official trademark of a specified product (DEPRECATED, use Brand or Product Line). - base type: string, max length: 50, (XPath GARStockChange/GSXbody/GSXitem/tradeMark) 0-1
@uid	unique element identifier within the xml document - base type: string, (XPath GARStockChange/GSOheader/refDoc/attachment/@uid) [Optional]

	(XPath GARStockChange/GSXbody/GSXitem/refDoc/attachment/@uid) [Optional]
@um	<p>specification of the unit of measure</p> <p>- base type: string, cod. table: NT7 http://www.ebiz.enea.it/moda-ml/repository/codelist/draft/gc_NT7.xml (XPath GARStockChange/GSXbody/GSXitem/price/@um) [Optional]</p> <p>- nota: <i>Unit of measure of the product to which the price is referred (price per meter)</i></p> <p>(XPath GARStockChange/GSXbody/GSXitem/csRange/sizeMatrix/sizeRow/qty/@um) [Required] (XPath GARStockChange/GSXbody/GSXitem/qty/@um) [Required]</p>
uri	<p>Uniform Resource Identifier (URI) that identifies the external object as an Internet resource</p> <p>- base type: normalizedString, (XPath GARStockChange/GSXbody/GSXitem/refDoc/attachment/externalReference/uri) 1-1 (XPath GARStockChange/GSOheader/refDoc/attachment/externalReference/uri) 1-1</p>
@useProfile	<p>use profile to which the present document is compliant if it was agreed by the parties. It is suggested a URI with reference to the firms or the URL of the profile.</p> <p>- base type: string, (XPath GARStockChange/@useProfile) [Optional]</p>
variantCode	<p>Code of variant used for fashion product.</p> <p>- base type: string, (XPath GARStockChange/GSXbody/GSXitem/garmentCode/garmentCodeB/garmentVariant/variantCode) 1-1 (XPath GARStockChange/GSXbody/GSXitem/csRange/garmentVariant/variantCode) 1-1</p>
variantType	<p>Type of variant used for fashion product (examples: 'treatment', 'washing type', 'size class',...)</p> <p>- base type: string, (XPath GARStockChange/GSXbody/GSXitem/csRange/garmentVariant/variantType) 1-1 (XPath GARStockChange/GSXbody/GSXitem/garmentCode/garmentCodeB/garmentVariant/variantType) 1-1</p>
@VAT	<p>VAT rate or code (DEPRECATED, use dtScheme element)</p> <p>- base type: string, cod. table: NT16 http://www.ebiz.enea.it/moda-ml/repository/codelist/draft/gc_NT16.xml (XPath GARStockChange/GSXbody/GSXitem/lineN/@VAT) [Optional]</p> <p>- nota: <i>Deprecated, prefer dtScheme when available.</i></p>
@version	<p>Dictionary version from which the instance has been created</p> <p>- base type: string, cod. table: NT100 http://www.ebiz.enea.it/moda-ml/repository/codelist/draft/gc_NT100.xml (XPath GARStockChange/@version) [Optional] [Default= draft]</p>

2.3 Suggested best practices

GARStockChange/GSXbody/GSXitem/csRange/sizeMatrix/

sizeRow/itemsList/itemIdentification/serialN (serial number used for the identification of a physical unit)

in the case of garment with RFID for anti-counterfeiting, RFID EPCGlobal for logistics and NFC for the customer experience there should be three serial elements with pairs of attributes numberingOrg/idQualifier: "CL"/"RFID", "GS1"/"RFID", "CL"/"NFC".

2.4 Enumeration tables

List of enumeration tables used in the XML document. You can find the corresponding codes at:
<http://www.ebiz-tcf.eu/moda-ml/imple/moda-ml-draft.asp?lingua=en&pag=6>

NT100 - eBIZ TCFUpstream version
NT16 - VAT rate or code
NT18 - message function
NT20 - price qualifier
NT29 - format of a date
NT5 - action code
NT6 - coding system owner/issuer
NT7 - unit of measure
T10 - ISO3166 - Country
T21 - type of document
T421 - size system: nationality
T422 - size system: market segment
T423 - size system: base
T44 - additional code type
T61 - duty or tax or fee type
T62 - duty or tax or fee category
T9 - ISO4217 - Currency

ACKNOWLEDGEMENT



This action is part of the eBIZ-4.0 project, which has received funding from the European Union's COSME Programme (2014 - 2020).

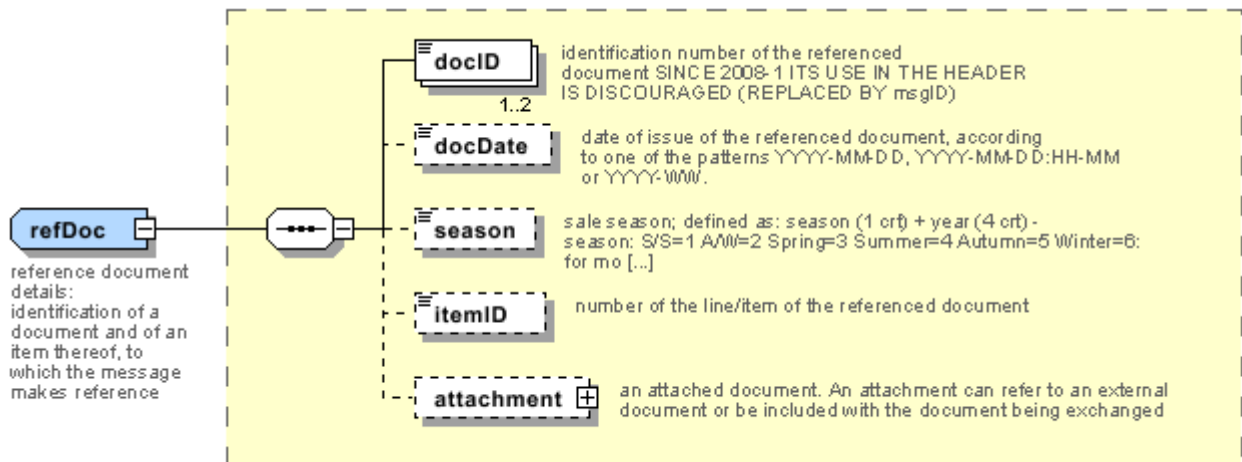
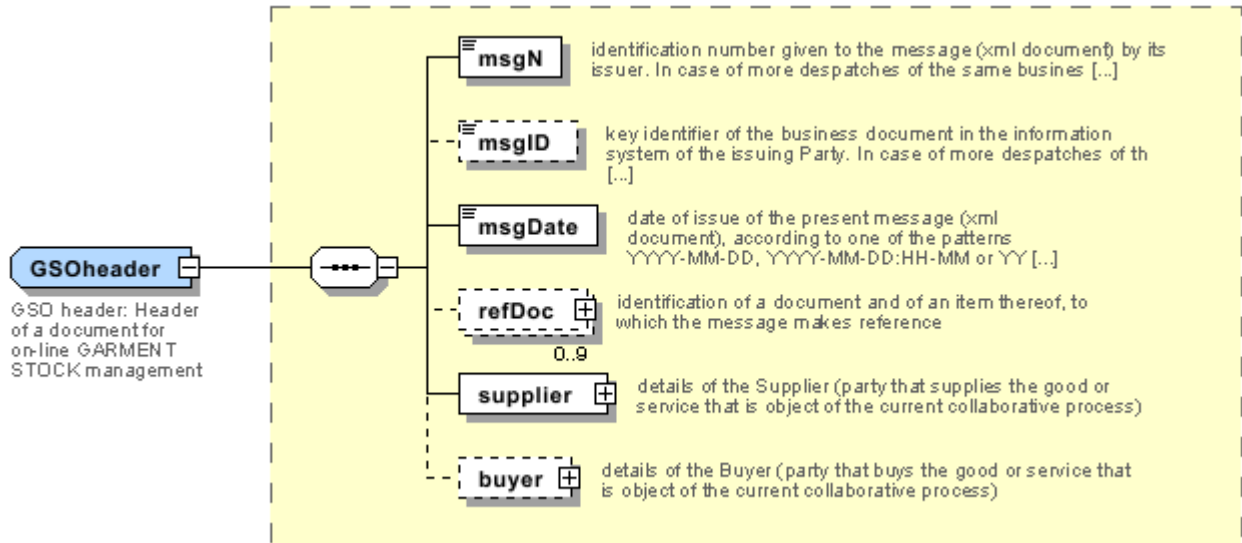
DISCLAIMER

The content of this document represents the views of the authors only and is their sole responsibility; it cannot be considered to reflect the views of the European Commission and/or the Executive Agency for Small and Medium-sized Enterprises (EASME) or any other body of the European Union.

The European Commission and the Agency do not accept any responsibility for use that may be made of the information it contains.

Annex A

Representative images of the principal complex elements' structure.



Annex B

NT100 - eBIZ TCFUpstream version

dictionary version

Agency name: eBIZ

tabella cod.: NT100

File codes list (Generic code): http://www.ebiz.enea.it/moda-ml/repository/codelist/draft/gc_NT100.xml

Code	Description	Adoption note	Date of insertion
2013-1	v2013-1		01/07/2013
2018-1	v2018-1		04/11/2018
draft	draft		08/09/2017

NT16 - VAT rate or code

VAT rate or code (DEPRECATED, use dtScheme element)

tabella cod.: NT16

File codes list (Generic code): http://www.ebiz.enea.it/moda-ml/repository/codelist/draft/gc_NT16.xml

NT18 - message function

function performed by the present message with regards to the transmission

Agency name: eBIZ

tabella cod.: NT18

File codes list (Generic code): http://www.ebiz.enea.it/moda-ml/repository/codelist/draft/gc_NT18.xml

Code	Description	Adoption note	Date of insertion
CA	delete this document		01/07/2013
CP	copy		
OR	original		
RC	re-transmission for data correction		
RT	re-transmission		

NT20 - price qualifier

type of price with reference to discount and taxes

Agency name: eBIZ

tabella cod.: NT20

File codes list (Generic code): http://www.ebiz.enea.it/moda-ml/repository/codelist/draft/gc_NT20.xml

Code	Description	Adoption note	Date of insertion
GET	gross excluding taxes		
GIT	gross including taxes		
NET	net excluding taxes		
NIT	net including taxes		

NT29 - format of a date

format used for the date

Agency name: eBIZ

tabella cod.: NT29

File codes list (Generic code): http://www.ebiz.enea.it/moda-ml/repository/codelist/draft/gc_NT29.xml

Code	Description	Adoption note	Date of insertion
D	YYYY-MM-DD		
M	YYYY-MM-DD:HH-MM		
W	YYYY-WW		

NT5 - action code

action performed by the present line upon the referenced document line

Agency name: eBIZ

tabella cod.: NT5

File codes list (Generic code): http://www.ebiz.enea.it/moda-ml/repository/codelist/draft/gc_NT5.xml

Code	Description	Adoption note	Date of insertion
A	CANCELLED		
C	CONFIRMED		
N	NEW ORDER LINE (created by an order change)		
R	PROVISIONAL CONFIRMATION		
S	DEFINITIVE CONFIRMATION		
SA	suspension accepted		

SN	suspension not accepted		
SR	suspension request		
V	AMENDED		

NT6 - coding system owner/issuer

code specifying the organisation who has created or owns the coding or numbering system

Agency name: eBIZ

tabella cod.: NT6

File codes list (Generic code): http://www.ebiz.enea.it/moda-ml/repository/codelist/draft/gc_NT6.xml

Code	Description	Adoption note	Date of insertion
CL	Customer/buyer		
CO	Quality Controller		
EN	GS1 (ex-EAN International)		
ES	e-Stockflow		
FO	Supplier		
GS	GS1		01/07/2013
MF	VAT identifier		
ML	Moda-ML		
SP	Service Provider		

NT7 - unit of measure

specification of the unit of measure, it is a sub set of table Unit of Measure Code - UN/ECE REC 20 delivered by United Nations Economic Commission for Europe (UN/ECE)

Agency name: eBIZ / UN/ECE

tabella cod.: NT7

File codes list (Generic code): http://www.ebiz.enea.it/moda-ml/repository/codelist/draft/gc_NT7.xml

Other link: <http://docs.oasis-open.org/ubl/os-UBL-2.1/cl/gc/default/UnitOfMeasureCode-2.1.gc#>

Code	Description	Adoption note	Date of insertion
CMK	square centimetre		20/12/2017
CMQ	cubic centimetre		20/12/2017
CMT	centimetre		
CNE	centiNewton		
CO2TON	ton of CO2		10/09/2014

COUPLES	couples		
DMQ	cubic decimetre		
E37	pixel		11/04/2018
GRM	gram		
HUR	hour		
INH	inch		
KGM	kilogram		
KMT	kilometer		
KWH	kilowatthours		10/09/2014
LBR	pound		
MIN	minute		
MMK	centimetre		20/12/2017
MMK	square millimetre		20/12/2017
MTK	square metre		20/12/2017
MTQ	cubic metre		
MTR	metre		
NMB	numero		
ONZ	ounce		
P1	percent		
PPM	parts per milion		
PZ	piece		
RPM	rounds per metre		
YRD	yard		

T10 - ISO3166 - Country

code of the nation

Agency name: ISO

tabella cod.: T10

File codes list (Generic code): http://www.ebiz.enea.it/moda-ml/repository/codelist/draft/gc_T10.xml

Table not printed: there are 239 elements, more than the maximum specified for printing: 99.

T21 - type of document

type or class to which the referenced document belongs

Agency name: eBIZ

tabella cod.: T21

File codes list (Generic code): http://www.ebiz.enea.it/moda-ml/repository/codelist/draft/gc_T21.xml

Code	Description	Adoption note	Date of insertion
BOR	blanket order		01/02/2018
CAT	Price catalogue - tech sheet		
CEO	Certificate of origin		13/04/2018
CER	Certificate		13/04/2018
COC	colour card		
CRN	Credit note		08/09/2017
CTO	Checking order		01/07/2013
CTR	Contract		
CXF	CxF3 file		01/07/2013
DAD	Darn order		
DDT	ddt		
DEA	Despatch advise		
DER	Despatch request		
DR	Document Request		02/12/2014
FOR	Forecast		02/12/2014
GSO	Garment stock offer		
GSX	Garment stock offer change		
INV	Invoice		
KCC	Knitting-Clothing Commission Order		02/12/2014
KCI	Garment in Work Inventory Report		02/12/2014
M2M	Made to Measure Production Order		02/12/2014
MAS	Master marker		
MCI	Visual merchandising instruction		13/04/2018
OCH	Order change		
OFF	Offer		
ORD	Purchase order		
ORP	Order response		
OSR	order status request		
OSS	Offer status		02/12/2014
OST	Order status		

OUR	our reference		
QR	Quality Report		02/12/2014
RAI	Raw Material in Work Inventory Report		02/12/2014
RDC	Raw dyeing commission order		
RDH	Raw dyeing order change		
RDR	Raw dyeing order response		
REA	Receiving advise		
REQ	Request for Offer		
RET	Return		02/12/2014
RSC	Spinning commission order		
RSH	Spinning order change		
RSR	Spinning order response		
SCL	process sheet		
TFC	Textile dyeing-finishing commission order		
TFX	Textile Dyeing-Finishing Order Change		02/12/2014
TPC	Textile printing commission order		
TPX	Textile Printing Order Change		02/12/2014
TWI	Textile in work inventory		
VMI	visual merchandising instructions		01/02/2018
WAC	Warping commission order		
WEC	Weaving commission order		
YDC	Yarn dyeing commission order		
YDH	Yarn dyeing order change		
YDR	Yarn dyeing order response		
YTC	Twisting commission order		
YWI	Yarn in work inventory		

T421 - size system: nationality

nation or agency identifying the size system

Agency name: eBIZ

tabella cod.: T421

File codes list (Generic code): http://www.ebiz.enea.it/moda-ml/repository/codelist/draft/gc_T421.xml

Code	Description	Adoption note	Date of insertion
DE	Germany		

ES	Spain		
EU	Europe		
FR	France		
IT	Italy		
UK	United Kingdom		
US	USA		
XX	International		

T422 - size system: market segment

market segment identifying the size system

Agency name: eBIZ

tabella cod.: T422

File codes list (Generic code): http://www.ebiz.enea.it/moda-ml/repository/codelist/draft/gc_T422.xml

Code	Description	Adoption note	Date of insertion
B	baby		
C	child		
K	kid		
M	man		
U	unisex		
W	woman		

T423 - size system: base

base of the size system

Agency name: eBIZ

tabella cod.: T423

File codes list (Generic code): http://www.ebiz.enea.it/moda-ml/repository/codelist/draft/gc_T423.xml

Code	Description	Adoption note	Date of insertion
1	arab numbers		
2	latin numbers		
3	symbols		
4	letters		
H	height		

L	length		
U	unic		
W	weight		

T44 - additional code type

qualifier of the additional coding of a product

Agency name: eBIZ

tabella cod.: T44

File codes list (Generic code): http://www.ebiz.enea.it/moda-ml/repository/codelist/draft/gc_T44.xml

Code	Description	Adoption note	Date of insertion
CC	colour card		
CL	sales collection		
CO	company identification code		08/09/2017
DY	dye number		
LT	lot number		
MDI	Made in		08/09/2017
MS	manufacturing state		
PKG	packaging		09/09/2014
PL	product line		
RGB	RGB value		
SE	selvedge code		

T61 - duty or tax or fee type

duty or tax or fee type

Agency name: eBIZ

tabella cod.: T61

File codes list (Generic code): http://www.ebiz.enea.it/moda-ml/repository/codelist/draft/gc_T61.xml

Code	Description	Adoption note	Date of insertion
BOL	stamp duty		01/07/2013
CUD	customs duty		01/07/2013
ENV	environmental tax		01/07/2013
FRE	no tax		01/07/2013

OTH	other tax charges		01/07/2013
VAT	value added tax		01/07/2013

T62 - duty or tax or fee category

duty or tax or fee category

Agency name: eBIZ

tabella cod.: T62

File codes list (Generic code): http://www.ebiz.enea.it/moda-ml/repository/codelist/draft/gc_T62.xml

Code	Description	Adoption note	Date of insertion
AA	lower than standard rate		01/07/2013
E	tax not applicable		01/07/2013
H	higher than standard rate		01/07/2013
O	outside scope of tax		01/07/2013
S	standard rate		01/07/2013
Z	zero rate goods		01/07/2013

T9 - ISO4217 - Currency

currency code

Agency name: ISO

tabella cod.: T9

File codes list (Generic code): http://www.ebiz.enea.it/moda-ml/repository/codelist/draft/gc_T9.xml

Table not printed: there are 205 elements, more than the maximum specified for printing: 99.