



<http://www.ebiz-tcf.eu>

IMPLEMENTATION GUIDE

includes COMPARISON BETWEEN CURRENT and LAST
PREVIOUSLY RELEASED VERSION
TRANSACTION "PIECE CONTROL ORDER"

Version: v2018-1

Date of release: 18/7/2019

Document code: G062rv

technical Documentation: <http://www.ebiz.enea.it>

XML Schemas repository: <http://www.ebiz.enea.it/moda-ml/repository/schema/v2018-1/default.asp>

Guides repository: <http://www.ebiz.enea.it/moda-ml/repository/guide/v2018-1/default.asp>

Guide filename: G062rv-eBIZ-PieceControlOrder.pdf

1. BUSINESS DESCRIPTION

1.1 Scope

The present guide has been issued to assist the companies of the Textile-Clothing sector in the implementation of the standard XML document type "PIECE CONTROL ORDER", providing all the instruction required for its use in any context of e-commerce between Fabric Buyers and Textile Controllers.

All the rules required for the construction and validation of the document are embedded into the specific XML-Schema, which is detailed in section "Implementation guide".

1.2 Generalities

The document "Piece Control Order" is used by the Fabric Buyer to specify the type of inspection and accessory treatments requested for each fabric piece.

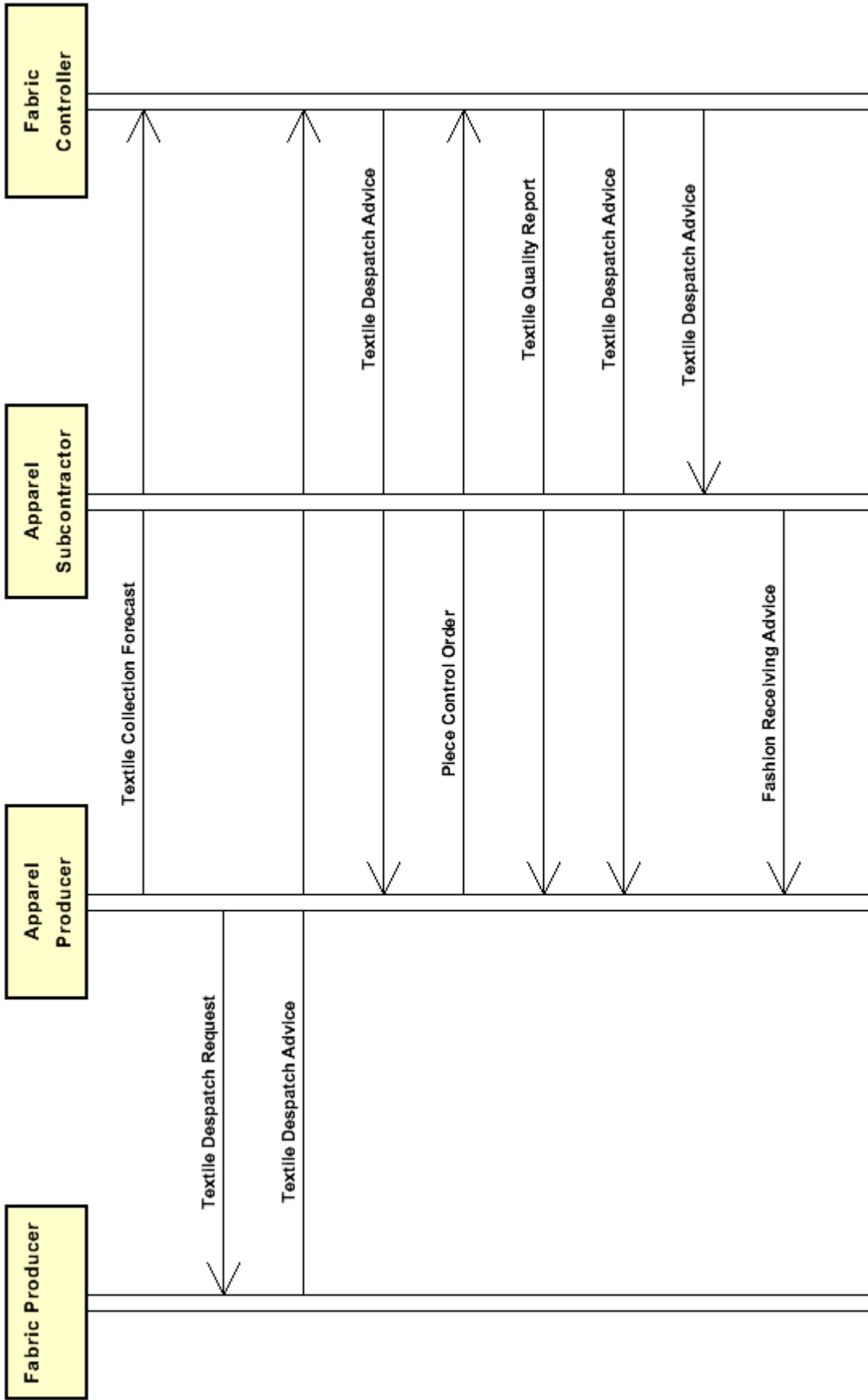
The Order can refer to one or more pieces and can be used either in conjunction with the "Textile Despatch Advise" (1 DA : 1 Order) or independently.

In the first instance the reference to the Despatch Advise must be given in the Header; in the second each piece can have at item level its reference to the document with which it was registered by the Controller.

Each line item refers to one fabric piece and indicates the inspection code and the ultimate receiver of the piece.

1.3. Possible scenario

Fabric delivery with quality reporting by controller



2. IMPLEMENTATION GUIDE

2.1 General structure of XML document

All the business data that can be exchanged through this class of documents are shown in the following "document structure", that provides a simplified vision of the Schema.

In particular:

- the two numbers following each element define its "cardinality" (minimum and maximum number of occurrences); the minimum equal zero indicates that the element is optional, the minimum greater than zero indicates that is mandatory;
- the bold character denotes the complex elements (aggregates of simple elements) that were built for the sake of functionality and re-usability of some complex informations sets. The child elements in each parent element are easily spotted as "indented";
- the symbol "@" denotes an attribute of the preceding element; here "the usage indicator (optional, required, ...)" is shown in square brackets.

Legenda

- N: new element
- U: updated properties
- P: changes in children
- p: is a changed child
- A: changes in attributes
- a: is a new or changed attribute
- *: is a subtype

Structure

TEXControlOrder

@msgfunction [Optional] [Default= OR]

@version [Optional] [Default= 2018-1]

@useProfile [Optional]

```
| PCOheader 1-1 (P)
| | msgN 1-1
| | - choose -
| | msgID 0-1
| | - or -
| | docID 0-1
| | @numberingOrg [Optional]
| | - end choose -
| | msgDate 1-1
| | @dateForm [Optional]
| | refDoc 0-9 (P)
| | @docType [Required]
| | | docID 1-2 (p)
| | | @numberingOrg [Optional]
| | | docDate 0-1
| | | @dateForm [Optional]
| | | season 0-1 (A)
| | | @numberingOrg [Optional] (a)
| | | @codeList [Optional] (a)
| | | @listName [Optional] (a)
| | | @listVersion [Optional] (a)
| | | itemID 0-1 (U)
| | | attachment 0-1 (N)
| | | @uid [Optional]
| | | | fileName 0-1 (N)
| | | | @numberingOrg [Optional]
```

```

| | | binaryObject 0-1 (N)
| | | @format [Optional] (N)
| | | @mime [Optional] (N)
| | | @encoding [Optional] (N)
| | | @characterSet [Optional] (N)
| | | externalReference 0-99 (N)
| | | | uri 1-1 (N)
| | | | @isURL [Optional] [Default= true] (Na)
| | | | mimeTypeCode 0-1 (N)
| | | | formatCode 0-1 (N)
| | | | encodingCode 0-1 (N)
| | | | characterSetCode 0-1 (N)
| buyer 1-1 (AP)
| @logo [Optional]
| @sender [Optional] (a*)
| | id 1-1 (p)
| | | @numberingOrg [Optional]
| | additionalIdentifier 0-9 (N)
| | | @numberingOrg [Optional] (a)
| | | @idQualifier [Optional] (Na)
| | legalName 0-1 (U)
| | dept 0-1
| | subDept 0-1 (N)
| | person 0-1
| | | @email [Optional]
| | | @phone [Optional]
| | | @fax [Optional]
| | street 0-1
| | city 0-1
| | subCountry 0-1
| | country 0-1
| | postCode 0-1
| supplier 1-1 (AP)
| @logo [Optional]
| @sender [Optional] (a*)
| | id 1-1
| | | @numberingOrg [Optional]
| | additionalIdentifier 0-9 (N)
| | | @numberingOrg [Optional] (a)
| | | @idQualifier [Optional] (Na)
| | legalName 0-1 (U)
| | dept 0-1
| | subDept 0-1 (N)
| | person 0-1
| | | @email [Optional]
| | | @phone [Optional]
| | | @fax [Optional]
| | street 0-1
| | city 0-1
| | subCountry 0-1
| | country 0-1
| | postCode 0-1
| thirdParty 0-5 (AP)
| @VAT [Optional]
| @role [Required]
| @sender [Optional] (a*)
| | id 1-1
| | | @numberingOrg [Optional]
| | legalName 0-1 (U)
| | dept 0-1
| | subDept 0-1 (N)

```

- | person 0-1
- | | @email [Optional]
- | | @phone [Optional]
- | | @fax [Optional]
- | street 0-1
- | city 0-1
- | subCountry 0-1
- | country 0-1
- | postCode 0-1
- | note 0-99
- | | @numberingOrg [Optional]
- | | @codeList [Optional]
- | | @noteLabel [Optional]

PCObody 1-1

- | **PCOitem 1-unbounded** (P)
- | | serialN 1-9 (AU)
- | | | @numberingOrg [Optional]
- | | | @idQualifier [Optional] (N)
- | | **texCode 0-2** (P)
- | | | @numberingOrg [Optional]
- | | | art 1-1 (U)
- | | | | @numberingOrg [Optional]
- | | | | @codeList [Optional]
- | | | | @listName [Optional]
- | | | | @listVersion [Optional]
- | | | pattern 0-1
- | | | | @numberingOrg [Optional]
- | | | | @codeList [Optional]
- | | | | @listName [Optional]
- | | | | @listVersion [Optional]
- | | | color 0-1
- | | | | @numberingOrg [Optional]
- | | | | @codeList [Optional]
- | | | | @listName [Optional]
- | | | | @listVersion [Optional]
- | | | added 0-9
- | | | | @numberingOrg [Optional]
- | | | | @addType [Optional]
- | | | description 0-unbounded (pAU)
- | | | | @ln [Optional] (N)
- | | **refDoc 0-9** (P)
- | | | @docType [Required]
- | | | docID 1-2 (p)
- | | | | @numberingOrg [Optional]
- | | | docDate 0-1
- | | | | @dateForm [Optional]
- | | | season 0-1 (A)
- | | | | @numberingOrg [Optional] (a)
- | | | | @codeList [Optional] (a)
- | | | | @listName [Optional] (a)
- | | | | @listVersion [Optional] (a)
- | | | itemID 0-1 (U)
- | | | **attachment 0-1** (N)
- | | | | @uid [Optional]
- | | | | | fileName 0-1 (N)
- | | | | | @numberingOrg [Optional]
- | | | | | binaryObject 0-1 (N)
- | | | | | @format [Optional] (N)
- | | | | | @mime [Optional] (N)
- | | | | | @encoding [Optional] (N)

```

| | | | | @characterSet [Optional] (N)
| | | | | externalReference 0-99 (N)
| | | | | uri 1-1 (N)
| | | | | @isURL [Optional] [Default= true] (Na)
| | | | | mimeTypeCode 0-1 (N)
| | | | | formatCode 0-1 (N)
| | | | | encodingCode 0-1 (N)
| | | | | characterSetCode 0-1 (N)
| pieceControl 1-1 (A)
| @numberingOrg [Optional]
| @codeList [Optional] (a)
| @listName [Optional] (a)
| @listVersion [Optional] (a)
| thirdParty 0-3 (AP)
| @VAT [Optional]
| @role [Required]
| @sender [Optional] (a*)
| id 1-1
| @numberingOrg [Optional]
| legalName 0-1 (U)
| dept 0-1
| subDept 0-1 (N)
| person 0-1
| @email [Optional]
| @phone [Optional]
| @fax [Optional]
| street 0-1
| city 0-1
| subCountry 0-1
| country 0-1
| postCode 0-1
| note 0-99
| @numberingOrg [Optional]
| @codeList [Optional]
| @noteLabel [Optional]

```


2.2 Detailed description of document elements

Following tables show all elements (complex and simple) used in this document. Description includes: 1) element's information: xml tag, name, brief description, data type and syntax constraints; 2) information about use of the element in a particular position in the document: xpath and possible associated notes.

2.2.1 Complex elements (Aggregate Business Information Entities)

Complex elements are those elements whose content is composed of other elements (childs).Complex elements are alphabetically ordered.

attachment	an attached document. An attachment can refer to an external document or be included with the document being exchanged (XPath <code>TEXControlOrder/PCObody/PCOitem/refDoc/attachment</code>) 0-1 (N) (XPath <code>TEXControlOrder/PCOheader/refDoc/attachment</code>) 0-1 (N)
buyer	details of the Buyer (party that buys the good or service that is object of the current collaborative process) - base type: Nad, (XPath <code>TEXControlOrder/PCOheader/buyer</code>) 1-1 (AP)
externalReference	details about an external object, such as a document stored at a remote location (XPath <code>TEXControlOrder/PCOheader/refDoc/attachment/externalReference</code>) 0-99 (N) (XPath <code>TEXControlOrder/PCObody/PCOitem/refDoc/attachment/externalReference</code>) 0-99 (N)
PCObody	body of the document PIECE CONTROL ORDER (XPath <code>TEXControlOrder/PCObody</code>) 1-1
PCOheader	header of the document PIECE CONTROL ORDER (XPath <code>TEXControlOrder/PCOheader</code>) 1-1 (P)
PCOitem	line item of the document PIECE CONTROL ORDER (XPath <code>TEXControlOrder/PCObody/PCOitem</code>) 1-unbounded (P)
refDoc	identification of a document and of an item thereof, to which the message makes reference (XPath <code>TEXControlOrder/PCOheader/refDoc</code>) 0-9 (P) (XPath <code>TEXControlOrder/PCObody/PCOitem/refDoc</code>) 0-9 (P)
supplier	details of the Supplier (party that supplies the good or service that is object of the current collaborative process) - base type: Nad, (XPath <code>TEXControlOrder/PCOheader/supplier</code>) 1-1 (AP)
texCode	full codification of the textile product (XPath <code>TEXControlOrder/PCObody/PCOitem/texCode</code>) 0-2 (P)
thirdParty	details of the Third Party, different from Sender and Receiver of the document - base type: Nad, (XPath <code>TEXControlOrder/PCOheader/thirdParty</code>) 0-5 (AP) (XPath <code>TEXControlOrder/PCObody/PCOitem/thirdParty</code>) 0-3 (AP) - note: <i>here the receiver of the fabric piece after the inspection can be specified</i>

2.2.2 Simple elements (Basic Business Information Entities)

Simple elements are those elements whose content is characterized by a data type plus a domain of possible values. Simple elements are alphabetically ordered.

added	<p>additional code of the product (complementing the formers)</p> <p>- base type: string, max length: 80, (XPath <code>TEXControlOrder/PCObody/PCOitem/texCode/added</code>) 0-9</p> <p>- note: <i>here an additional codification (see table T44) can be specified</i></p>
additionalIdentifier	<p>additional identification code of a Party, for example customs registries or others</p> <p>- base type: string, max length: 15, (XPath <code>TEXControlOrder/PCOheader/supplier/additionalIdentifier</code>) 0-9 (N)</p> <p>- note: <i>identifiers for example for exports, such as MID (Manufacturer Identification Code), EORI (E.O.R.I. - Economic Operator Registration and Identification)</i></p> <p>(XPath <code>TEXControlOrder/PCOheader/buyer/additionalIdentifier</code>) 0-9 (N)</p> <p>- note: <i>identifiers for example for exports, such as MID (Manufacturer Identification Code), EORI (E.O.R.I. - Economic Operator Registration and Identification)</i></p>
@addType	<p>qualifier of the additional coding of a product</p> <p>- base type: string, cod. table: T44 http://www.ebiz.enea.it/moda-ml/repository/codelist/v2018-1/gc_T44.xml</p> <p>(XPath <code>TEXControlOrder/PCObody/PCOitem/texCode/added/@addType</code>) [Optional]</p> <p>- note: <i>addType allows the clarification of the meaning of the added element content; it is strongly suggested to use it always.</i></p>
art	<p>article number of the product</p> <p>- base type: string, max length: 80, (XPath <code>TEXControlOrder/PCObody/PCOitem/texCode/art</code>) 1-1 (U)</p> <p>- note: <i>can be used either for the base-article (excluding pattern/colour) or for the SKU</i></p>
binaryObject	<p>a binary large object containing an attached document, Coding 'base64Binary' is recommended.</p> <p>- base type: base64Binary, (XPath <code>TEXControlOrder/PCObody/PCOitem/refDoc/attachment/binaryObject</code>) 0-1 (N)</p> <p>(XPath <code>TEXControlOrder/PCOheader/refDoc/attachment/binaryObject</code>) 0-1 (N)</p>
@characterSet	<p>the character set of the binary object (examples UTF-8, UTF-16, Windows-1252, ISO-8859-7,..)</p> <p>- base type: normalizedString, (XPath <code>TEXControlOrder/PCObody/PCOitem/refDoc/attachment/binaryObject/@characterSet</code>) [Optional] (N)</p> <p>(XPath <code>TEXControlOrder/PCOheader/refDoc/attachment/binaryObject/@characterSet</code>) [Optional] (N)</p>
characterSetCode	<p>the character set of an external document (examples UTF-8, UTF-16, Windows-1252, ISO-8859-7,..)</p> <p>- base type: normalizedString, (XPath <code>TEXControlOrder/PCObody/PCOitem/refDoc/attachment/externalReference/characterSetCode</code>) 0-1 (N)</p> <p>(XPath <code>TEXControlOrder/PCOheader/refDoc/attachment/externalReference/characterSetCode</code>) 0-1 (N)</p>
city	<p>name of the city (town, village)</p> <p>- base type: string, max length: 40, (XPath <code>TEXControlOrder/PCOheader/buyer/city</code>) 0-1 (XPath <code>TEXControlOrder/PCObody/PCOitem/thirdParty/city</code>) 0-1 (XPath <code>TEXControlOrder/PCOheader/supplier/city</code>) 0-1 (XPath <code>TEXControlOrder/PCOheader/thirdParty/city</code>) 0-1</p>

@codeList	<p>it specifies the URL where the list of codes used to make an instance of the element can be found</p> <ul style="list-style-type: none"> - base type: string, max length: 255, (XPath TEXControlOrder/PCOheader/note/@codeList) [Optional] - nota: <i>must be used to provide (URL) the list of codes used in "noteLabel"</i> (XPath TEXControlOrder/PCObody/PCOitem/texCode/art/@codeList) [Optional] - nota: <i>at least one out of this attribute and "numberingOrg" should be set</i> (XPath TEXControlOrder/PCObody/PCOitem/note/@codeList) [Optional] - nota: <i>must be used to provide (URL) the list of codes used in "noteLabel"</i> (XPath TEXControlOrder/PCObody/PCOitem/refDoc/season/@codeList) [Optional] (a) - nota: <i>this attribute should be used either single or coupled with "listName" and "listVersion"</i> (XPath TEXControlOrder/PCOheader/refDoc/season/@codeList) [Optional] (a) - nota: <i>this attribute should be used either single or coupled with "listName" and "listVersion"</i> (XPath TEXControlOrder/PCObody/PCOitem/pieceControl/@codeList) [Optional] (a) - nota: <i>at least one out of this attribute and "numberingOrg" should be set</i> (XPath TEXControlOrder/PCObody/PCOitem/texCode/pattern/@codeList) [Optional] - nota: <i>at least one out of this attribute and "numberingOrg" should be set</i> (XPath TEXControlOrder/PCObody/PCOitem/texCode/color/@codeList) [Optional] - nota: <i>this attribute should be used either single or coupled with "listName" and "listVersion"</i>
color	<p>colour number of the product, when not included in the model or fabric code</p> <ul style="list-style-type: none"> - base type: string, max length: 15, (XPath TEXControlOrder/PCObody/PCOitem/texCode/color) 0-1
country	<p>code of the nation</p> <ul style="list-style-type: none"> - base type: string, cod. table: T10 http://www.ebiz.enea.it/moda-ml/repository/codelist/v2018-1/gc_T10.xml (XPath TEXControlOrder/PCOheader/thirdParty/country) 0-1 (XPath TEXControlOrder/PCObody/PCOitem/thirdParty/country) 0-1 (XPath TEXControlOrder/PCOheader/buyer/country) 0-1 (XPath TEXControlOrder/PCOheader/supplier/country) 0-1
@dateForm	<p>format used for the date</p> <ul style="list-style-type: none"> - base type: string, cod. table: NT29 http://www.ebiz.enea.it/moda-ml/repository/codelist/v2018-1/gc_NT29.xml (XPath TEXControlOrder/PCOheader/msgDate/@dateForm) [Optional] (XPath TEXControlOrder/PCObody/PCOitem/refDoc/docDate/@dateForm) [Optional] (XPath TEXControlOrder/PCOheader/refDoc/docDate/@dateForm) [Optional]
dept	<p>name or code of a contact department within a Party</p> <ul style="list-style-type: none"> - base type: string, max length: 40, (XPath TEXControlOrder/PCOheader/buyer/dept) 0-1 (XPath TEXControlOrder/PCOheader/supplier/dept) 0-1 (XPath TEXControlOrder/PCObody/PCOitem/thirdParty/dept) 0-1 (XPath TEXControlOrder/PCOheader/thirdParty/dept) 0-1
description	<p>free text description. The content of the element must be unique, it might be translated and repeated into more languages (thus no more than one instance for each language).</p> <ul style="list-style-type: none"> - base type: string, max length: 250, (XPath TEXControlOrder/PCObody/PCOitem/texCode/description) 0-unbounded (pAU) - note: <i>Product description</i>
docDate	<p>date of issue of the referenced document, according to one of the patterns YYYY-MM-DD, YYYY-MM-DD:HH-MM or YYYY-WW.</p> <ul style="list-style-type: none"> - base type: string, (XPath TEXControlOrder/PCOheader/refDoc/docDate) 0-1 (XPath TEXControlOrder/PCObody/PCOitem/refDoc/docDate) 0-1

docID	<p>identification number of the referenced document SINCE 2008-1 ITS USE I N THE HEADER IS DISCOURAGED (REPLACED BY msgID)</p> <p>- base type: string, max length: 80, (XPath TEXControlOrder/PCOheader/docID) 0-1 (XPath TEXControlOrder/PCObody/PCOitem/refDoc/docID) 1-2 (p)</p> <hr/> <p>AAAA-WARNING! - text not AVAILABLE n. 245 - In=en (XPath TEXControlOrder/PCOheader/refDoc/docID) 1-2 (p)</p> <hr/> <p>AAAA-WARNING! - text not AVAILABLE n. 245 - In=en</p>
@docType	<p>type or class to which the referenced document belongs</p> <p>- base type: string, cod. table: T21 http://www.ebiz.enea.it/moda-ml/repository/codelist/v2018-1/gc_T21.xml (XPath TEXControlOrder/PCOheader/refDoc/@docType) [Required] (XPath TEXControlOrder/PCObody/PCOitem/refDoc/@docType) [Required]</p>
@email	<p>electronic mail address of the contact person within a Party</p> <p>- base type: string, max length: 250, (XPath TEXControlOrder/PCObody/PCOitem/thirdParty/person/@email) [Optional] (XPath TEXControlOrder/PCOheader/supplier/person/@email) [Optional] (XPath TEXControlOrder/PCOheader/thirdParty/person/@email) [Optional] (XPath TEXControlOrder/PCOheader/buyer/person/@email) [Optional]</p>
@encoding	<p>specifies the decoding algorithm of the binary object</p> <p>- base type: normalizedString, (XPath TEXControlOrder/PCObody/PCOitem/refDoc/attachment/binaryObject/@encoding) [Optional] (N) (XPath TEXControlOrder/PCOheader/refDoc/attachment/binaryObject/@encoding) [Optional] (N)</p>
encodingCode	<p>the encoding/decoding algorithm used with the external object (example is 'base64Binary')</p> <p>- base type: normalizedString, (XPath TEXControlOrder/PCObody/PCOitem/refDoc/attachment/externalReference/encodingCode) 0-1 (N) (XPath TEXControlOrder/PCOheader/refDoc/attachment/externalReference/encodingCode) 0-1 (N)</p>
@fax	<p>fax number of the contact person within a Party</p> <p>- base type: string, max length: 35, (XPath TEXControlOrder/PCOheader/supplier/person/@fax) [Optional] (XPath TEXControlOrder/PCObody/PCOitem/thirdParty/person/@fax) [Optional] (XPath TEXControlOrder/PCOheader/thirdParty/person/@fax) [Optional] (XPath TEXControlOrder/PCOheader/buyer/person/@fax) [Optional]</p>
fileName	<p>unique identifier (name) of the file</p> <p>- base type: string, max length: 255, (XPath TEXControlOrder/PCOheader/refDoc/attachment/fileName) 0-1 (N) (XPath TEXControlOrder/PCObody/PCOitem/refDoc/attachment/fileName) 0-1 (N)</p>
@format	<p>the format of the binary content (examples xml, pdf, doc,...)</p> <p>- base type: string, (XPath TEXControlOrder/PCObody/PCOitem/refDoc/attachment/binaryObject/@format) [Optional] (N) (XPath TEXControlOrder/PCOheader/refDoc/attachment/binaryObject/@format) [Optional] (N)</p>
formatCode	<p>the format of the external object (examples xml, pdf, doc,...)</p> <p>- base type: normalizedString, (XPath TEXControlOrder/PCObody/PCOitem/refDoc/attachment/externalReference/formatCode) 0-1 (N) (XPath TEXControlOrder/PCOheader/refDoc/attachment/externalReference/formatCode) 0-1 (N)</p>
id	<p>primary identification code of a Party; it is recommended the format: nation code (ISO 3166) + VAT identification number (11 crt), with the qualifier "num</p>

	beringOrg"= MF - base type: string, max length: 15, (XPath TEXControlOrder/PCObody/PCOitem/thirdParty/id) 1-1 (XPath TEXControlOrder/PCOheader/buyer/id) 1-1 (p) (XPath TEXControlOrder/PCOheader/supplier/id) 1-1 (XPath TEXControlOrder/PCOheader/thirdParty/id) 1-1
@idQualifier	Qualification of the identifier. - base type: string, (XPath TEXControlOrder/PCOheader/buyer/additionalIdentifier/@idQualifier) [Optional] (Na) - nota: <i>this attribute should be used when the numberingOrg attribute is not enough to declare the type of identifier</i> (XPath TEXControlOrder/PCOheader/supplier/additionalIdentifier/@idQualifier) [Optional] (Na) - nota: <i>this attribute should be used when the numberingOrg attribute is not enough to declare the type of identifier</i> (XPath TEXControlOrder/PCObody/PCOitem/serialN/@idQualifier) [Optional] (N) - nota: <i>this attribute should be used when the numberingOrg attribute is not enough to declare the type of serial identifier</i>
@isURL	it indicates if the referred element is an URL (true) or not (false) - base type: boolean, (XPath TEXControlOrder/PCObody/PCOitem/refDoc/attachment/externalReference/uri/@isURL) [Optional] [Default= true] (Na) - nota: <i>usage of URLs is recommended</i> (XPath TEXControlOrder/PCOheader/refDoc/attachment/externalReference/uri/@isURL) [Optional] [Default= true] (Na) - nota: <i>usage of URLs is recommended</i>
itemID	number of the line/item of the referenced document - base type: string, max length: 40, (XPath TEXControlOrder/PCObody/PCOitem/refDoc/itemID) 0-1 (U) (XPath TEXControlOrder/PCOheader/refDoc/itemID) 0-1 (U)
legalName	legal name of a Party - base type: string, max length: 250, (XPath TEXControlOrder/PCOheader/supplier/legalName) 0-1 (U) (XPath TEXControlOrder/PCOheader/buyer/legalName) 0-1 (U) (XPath TEXControlOrder/PCObody/PCOitem/thirdParty/legalName) 0-1 (U) (XPath TEXControlOrder/PCOheader/thirdParty/legalName) 0-1 (U)
@listName	the name of the list of codes used to make an instance of the element (it might be thought as descriptive element, i.e. 'fabric printing technologies', or not, i.e. "T264") - base type: string, max length: 40, (XPath TEXControlOrder/PCObody/PCOitem/texCode/art/@listName) [Optional] - nota: <i>this attribute should always be used coupled with "numberingOrg"</i> (XPath TEXControlOrder/PCObody/PCOitem/texCode/color/@listName) [Optional] - nota: <i>this attribute should always be used coupled with "numberingOrg"</i> (XPath TEXControlOrder/PCObody/PCOitem/texCode/pattern/@listName) [Optional] - nota: <i>this attribute should always be used coupled with "numberingOrg"</i> (XPath TEXControlOrder/PCObody/PCOitem/pieceControl/@listName) [Optional] (a) - nota: <i>this attribute should always be used coupled with "numberingOrg"</i> (XPath TEXControlOrder/PCObody/PCOitem/refDoc/season/@listName) [Optional] (a) - nota: <i>this attribute should always be used coupled with "numberingOrg"</i> (XPath TEXControlOrder/PCOheader/refDoc/season/@listName) [Optional] (a) - nota: <i>this attribute should always be used coupled with "numberingOrg"</i>
@listVersion	it specifies the version of the list of codes used to make an instance of the element - base type: string, max length: 6,

	<p>(XPath TEXControlOrder/PCObody/PCOitem/texCode/art/@listVersion) [Optional] - nota: <i>this attribute should always be used coupled with “numberingOrg” and “listName”</i></p> <p>(XPath TEXControlOrder/PCObody/PCOitem/refDoc/season/@listVersion) [Optional] (a) - nota: <i>this attribute should always be used coupled with “numberingOrg” and “listName”</i></p> <p>(XPath TEXControlOrder/PCObody/PCOitem/texCode/pattern/@listVersion) [Optional] - nota: <i>this attribute should always be used coupled with “numberingOrg” and “listName”</i></p> <p>(XPath TEXControlOrder/PCOheader/refDoc/season/@listVersion) [Optional] (a) - nota: <i>this attribute should always be used coupled with “numberingOrg” and “listName”</i></p> <p>(XPath TEXControlOrder/PCObody/PCOitem/texCode/color/@listVersion) [Optional] - nota: <i>this attribute should always be used coupled with “numberingOrg” and “listName”</i></p> <p>(XPath TEXControlOrder/PCObody/PCOitem/pieceControl/@listVersion) [Optional] (a) - nota: <i>this attribute should always be used coupled with “numberingOrg” and “listName”</i></p>
@ln	<p>Language code. - base type: string, cod. table: NT60 http://www.ebiz.enea.it/moda-ml/repository/codelist/v2018-1/gc_NT60.xml (XPath TEXControlOrder/PCObody/PCOitem/texCode/description/@ln) [Optional] (N)</p>
@logo	<p>company logo (URL of the image jpeg or gif). It is recommended that the width of the image does not exceed 640 pixel. - base type: string, max length: 255, (XPath TEXControlOrder/PCOheader/supplier/@logo) [Optional] (XPath TEXControlOrder/PCOheader/buyer/@logo) [Optional]</p>
@mime	<p>the mime type of the binary object - base type: normalizedString, (XPath TEXControlOrder/PCOheader/refDoc/attachment/binaryObject/@mime) [Optional] (N) (XPath TEXControlOrder/PCObody/PCOitem/refDoc/attachment/binaryObject/@mime) [Optional] (N)</p>
mimeCode	<p>mime type of the external object - base type: normalizedString, (XPath TEXControlOrder/PCObody/PCOitem/refDoc/attachment/externalReference/mimeCode) 0-1 (N)</p> <hr/> <p>AAAA-WARNING! - text not AVAILABLE n. 245 - ln=en (XPath TEXControlOrder/PCOheader/refDoc/attachment/externalReference/mimeCode) 0-1 (N)</p> <hr/> <p>AAAA-WARNING! - text not AVAILABLE n. 245 - ln=en</p>
msgDate	<p>date of issue of the present message (xml document), according to one of the patterns YYYY-MM-DD, YYYY-MM-DD:HH-MM or YYYY-WW. - base type: string, (XPath TEXControlOrder/PCOheader/msgDate) 1-1</p>
@msgfunction	<p>function performed by the present message with regards to the transmission - base type: string, cod. table: NT18 http://www.ebiz.enea.it/moda-ml/repository/codelist/v2018-1/gc_NT18.xml (XPath TEXControlOrder/@msgfunction) [Optional] [Default= OR]</p>
msgID	<p>key identifier of the business document in the information system of the issuing Party. In case of more despatches of the same business document, it is unchanged. - base type: string, max length: 35, (XPath TEXControlOrder/PCOheader/msgID) 0-1</p>

msgN	<p>identification number given to the message (xml document) by its issuer. In case of more despatches of the same business document, it changes.</p> <p>- base type: string, max length: 35, (XPath <code>TEXControlOrder/PCOheader/msgN</code>) 1-1</p>
note	<p>free text or structured (computer processing) note. For note structuring use the attributes "noteLabel" and "codelist"</p> <p>- base type: string, max length: 350, (XPath <code>TEXControlOrder/PCObody/PCOitem/note</code>) 0-99 (XPath <code>TEXControlOrder/PCOheader/note</code>) 0-99</p>
@noteLabel	<p>subject qualifier of a note</p> <p>- base type: string, max length: 35, (XPath <code>TEXControlOrder/PCOheader/note/@noteLabel</code>) [Optional] - nota: <i>must be used to qualify the subject of the note</i> (XPath <code>TEXControlOrder/PCObody/PCOitem/note/@noteLabel</code>) [Optional] - nota: <i>must be used to qualify the subject of the note</i></p>
@numberingOrg	<p>code specifying the organisation who has created or owns the coding or numbering system</p> <p>- base type: string, cod. table: NT6 http://www.ebiz.enea.it/moda-ml/repository/codelist/v2018-1/gc_NT6.xml (XPath <code>TEXControlOrder/PCOheader/buyer/additionalIdentifier/@numberingOrg</code>) [Optional] (a) - nota: <i>here the issuer of the identifier must be specified</i> (XPath <code>TEXControlOrder/PCOheader/refDoc/docID/@numberingOrg</code>) [Optional] - nota: <i>here can be specified whose document numbering is used (e.g.: Client, Supplier, ..)</i> (XPath <code>TEXControlOrder/PCObody/PCOitem/refDoc/docID/@numberingOrg</code>) [Optional] - nota: <i>here can be specified whose document numbering is used (e.g.: Client, Supplier, ..)</i> (XPath <code>TEXControlOrder/PCOheader/refDoc/season/@numberingOrg</code>) [Optional] (a) - nota: <i>this attribute should be used either single or coupled with "listName" and "listVersion"</i> (XPath <code>TEXControlOrder/PCObody/PCOitem/refDoc/season/@numberingOrg</code>) [Optional] (a) - nota: <i>this attribute should be used either single or coupled with "listName" and "listVersion"</i> (XPath <code>TEXControlOrder/PCOheader/thirdParty/id/@numberingOrg</code>) [Optional] (XPath <code>TEXControlOrder/PCOheader/supplier/additionalIdentifier/@numberingOrg</code>) [Optional] (a) - nota: <i>here the issuer of the identifier must be specified</i> (XPath <code>TEXControlOrder/PCOheader/supplier/id/@numberingOrg</code>) [Optional] (XPath <code>TEXControlOrder/PCObody/PCOitem/pieceControl/@numberingOrg</code>) [Optional] (XPath <code>TEXControlOrder/PCObody/PCOitem/thirdParty/id/@numberingOrg</code>) [Optional] (XPath <code>TEXControlOrder/PCObody/PCOitem/refDoc/attachment/fileName/@numberingOrg</code>) [Optional] (XPath <code>TEXControlOrder/PCOheader/docID/@numberingOrg</code>) [Optional] - nota: <i>here can be specified whose document numbering is used (e.g.: Client, Supplier, ..)</i> (XPath <code>TEXControlOrder/PCObody/PCOitem/serialN/@numberingOrg</code>) [Optional] - nota: <i>here the issuer of the serial number must be specified (when different from the Supplier)</i> (XPath <code>TEXControlOrder/PCOheader/note/@numberingOrg</code>) [Optional] - nota: <i>must be used to specify the organization that created the list of codes used in "noteLabel"</i> (XPath <code>TEXControlOrder/PCOheader/refDoc/attachment/fileName/@numberingOrg</code>) [Optional] (XPath <code>TEXControlOrder/PCObody/PCOitem/texCode/color/@numberingOrg</code>) [Optional]</p>

	<p>- nota: <i>this attribute should be used either single or coupled with "listName" and "listVersion"</i> (XPath TEXControlOrder/PCObody/PCOitem/texCode/pattern/@numberingOrg) [Optional]</p> <p>- nota: <i>this attribute should be used either single or coupled with "listName" and "listVersion"</i> (XPath TEXControlOrder/PCObody/PCOitem/texCode/art/@numberingOrg) [Optional]</p> <p>- nota: <i>this attribute should be used either single or coupled with "listName" and "listVersion"</i> (XPath TEXControlOrder/PCObody/PCOitem/texCode/@numberingOrg) [Optional] (XPath TEXControlOrder/PCObody/PCOitem/texCode/added/@numberingOrg) [Optional]</p> <p>- nota: <i>this attribute should be used either single or coupled with "listName" and "listVersion"</i> (XPath TEXControlOrder/PCObody/PCOitem/note/@numberingOrg) [Optional]</p> <p>- nota: <i>must be used to specify the organization that created the list of codes used in "noteLabel"</i> (XPath TEXControlOrder/PCOheader/buyer/id/@numberingOrg) [Optional]</p>
pattern	<p>pattern/design number of the product, when not included in the article code</p> <p>- base type: string, max length: 15, (XPath TEXControlOrder/PCObody/PCOitem/texCode/pattern) 0-1</p>
person	<p>name of the contact person within a Party</p> <p>- base type: string, max length: 40, (XPath TEXControlOrder/PCOheader/supplier/person) 0-1 (XPath TEXControlOrder/PCOheader/buyer/person) 0-1 (XPath TEXControlOrder/PCOheader/thirdParty/person) 0-1 (XPath TEXControlOrder/PCObody/PCOitem/thirdParty/person) 0-1</p>
@phone	<p>phone number of the contact person within a Party</p> <p>- base type: string, max length: 35, (XPath TEXControlOrder/PCOheader/thirdParty/person/@phone) [Optional] (XPath TEXControlOrder/PCOheader/supplier/person/@phone) [Optional] (XPath TEXControlOrder/PCOheader/buyer/person/@phone) [Optional] (XPath TEXControlOrder/PCObody/PCOitem/thirdParty/person/@phone) [Optional]</p>
pieceControl	<p>code assigned to a fabric piece to specify the type of control required/performed</p> <p>- base type: string, max length: 7, (XPath TEXControlOrder/PCObody/PCOitem/pieceControl) 1-1 (A)</p>
postCode	<p>code defining the postal zone</p> <p>- base type: string, max length: 10, (XPath TEXControlOrder/PCOheader/buyer/postCode) 0-1 (XPath TEXControlOrder/PCOheader/thirdParty/postCode) 0-1 (XPath TEXControlOrder/PCOheader/supplier/postCode) 0-1 (XPath TEXControlOrder/PCObody/PCOitem/thirdParty/postCode) 0-1</p>
@role	<p>Third Party role qualifier</p> <p>- base type: string, cod. table: NT2 http://www.ebiz.enea.it/moda-ml/repository/codelist/v2018-1/gc_NT2.xml (XPath TEXControlOrder/PCOheader/thirdParty/@role) [Required] (XPath TEXControlOrder/PCObody/PCOitem/thirdParty/@role) [Required]</p>
season	<p>sale season; defined as: season (1 crt) + year (4 crt) - season: S/S=1 A/W=2 Spring=3 Summer=4 Autumn=5 Winter=6: for more than four seasons use alphabetic sequence: 1st season=A 2nd season=B etc.etc.</p> <p>- base type: string, max length: 15, (XPath TEXControlOrder/PCOheader/refDoc/season) 0-1 (A)</p> <p>- note: <i>here indicates the season to which the referenced document belongs</i> (XPath TEXControlOrder/PCObody/PCOitem/refDoc/season) 0-1 (A)</p> <p>- note: <i>here indicates the season to which the referenced document belongs</i></p>

@sender	<p>qualifier that specifies the Party issuing of the document</p> <ul style="list-style-type: none"> - base type: boolean, (XPath TEXControlOrder/PCObody/PCOitem/thirdParty/@sender) [Optional] (a*) - nota: <i>This attribute is mandatory when the STYLESHEET must be used</i> (XPath TEXControlOrder/PCOheader/buyer/@sender) [Optional] (a*) - nota: <i>This attribute is mandatory when the STYLESHEET must be used</i> (XPath TEXControlOrder/PCOheader/supplier/@sender) [Optional] (a*) - nota: <i>This attribute is mandatory when the STYLESHEET must be used</i> (XPath TEXControlOrder/PCOheader/thirdParty/@sender) [Optional] (a*) - nota: <i>This attribute is mandatory when the STYLESHEET must be used</i>
serialN	<p>serial number used for the identification of a physical unit</p> <ul style="list-style-type: none"> - base type: string, max length: 250, (XPath TEXControlOrder/PCObody/PCOitem/serialN) 1-9 (AU) - note: <i>multiple values of serialN are allowed in order to provide different representations of the serial identifier of the same piece. Different instances of serialN must differ at least for one value of idQualifier or numberingOrg</i>
street	<p>street and building number identifying a location</p> <ul style="list-style-type: none"> - base type: string, max length: 80, (XPath TEXControlOrder/PCObody/PCOitem/thirdParty/street) 0-1 (XPath TEXControlOrder/PCOheader/thirdParty/street) 0-1 (XPath TEXControlOrder/PCOheader/supplier/street) 0-1 (XPath TEXControlOrder/PCOheader/buyer/street) 0-1
subCountry	<p>short name or code of the sub-country entity</p> <ul style="list-style-type: none"> - base type: string, max length: 9, (XPath TEXControlOrder/PCOheader/buyer/subCountry) 0-1 (XPath TEXControlOrder/PCOheader/supplier/subCountry) 0-1 (XPath TEXControlOrder/PCObody/PCOitem/thirdParty/subCountry) 0-1 (XPath TEXControlOrder/PCOheader/thirdParty/subCountry) 0-1
subDept	<p>name or code of a contact department within a Party</p> <ul style="list-style-type: none"> - base type: string, max length: 40, (XPath TEXControlOrder/PCOheader/supplier/subDept) 0-1 (N) (XPath TEXControlOrder/PCOheader/buyer/subDept) 0-1 (N) (XPath TEXControlOrder/PCOheader/thirdParty/subDept) 0-1 (N) (XPath TEXControlOrder/PCObody/PCOitem/thirdParty/subDept) 0-1 (N)
@uid	<p>unique element identifier within the xml document</p> <ul style="list-style-type: none"> - base type: string, (XPath TEXControlOrder/PCOheader/refDoc/attachment/@uid) [Optional] (XPath TEXControlOrder/PCObody/PCOitem/refDoc/attachment/@uid) [Optional]
uri	<p>Uniform Resource Identifier (URI) that identifies the external object as an Internet resource</p> <ul style="list-style-type: none"> - base type: normalizedString, (XPath TEXControlOrder/PCOheader/refDoc/attachment/externalReference/uri) 1-1 (N) (XPath TEXControlOrder/PCObody/PCOitem/refDoc/attachment/externalReference/uri) 1-1 (N)
@useProfile	<p>use profile to which the present document is compliant if it was agreed by the parties. It is suggested a URI with reference to the firms or the URL of the profile.</p> <ul style="list-style-type: none"> - base type: string, (XPath TEXControlOrder/@useProfile) [Optional]
@VAT	<p>VAT rate or code (DEPRECATED, use dtScheme element)</p> <ul style="list-style-type: none"> - base type: string, cod. table: NT16 http://www.ebiz.enea.it/moda-ml/repository/codelist/v2018-1/gc_NT16.xml (XPath TEXControlOrder/PCObody/PCOitem/thirdParty/@VAT) [Optional] (XPath TEXControlOrder/PCOheader/thirdParty/@VAT) [Optional]
@version	<p>Dictionary version from which the instance has been created</p> <ul style="list-style-type: none"> - base type: string, cod. table: NT100 http://www.ebiz.enea.it/moda-ml/repository/codelist/v2018-1/gc_NT100.xml

	(XPath TEXControlOrder/@version) [Optional] [Default= 2018-1]
--	---

2.3 Suggested best practices

TEXControlOrder/PCObody/PCOitem/refDoc/docID (identification number of the referenced document SINCE 2008-1 ITS USE IN THE HEADER IS DISCOURAGED (REPLACED BY msgID))

numberingOrg indicates the role that produced the document identifier (it is allowed to declare two different ones -e.g. customer and supplier - with two docID with different numberingOrg

TEXControlOrder/PCOheader/refDoc/docID (identification number of the referenced document SINCE 2008-1 ITS USE IN THE HEADER IS DISCOURAGED (REPLACED BY msgID))

numberingOrg indicates the role that produced the document identifier (it is allowed to declare two different ones -e.g. customer and supplier - with two docID with different numberingOrg

**TEXControlOrder/PCObody/PCOitem/refDoc/attachment/
externalReference/mimeCode (mime type of the external object)**

Use coding from IANA <http://www.iana.org/assignments/media-types/media-types.xml>

**TEXControlOrder/PCOheader/refDoc/attachment/
externalReference/mimeCode (mime type of the external object)**

Use coding from IANA <http://www.iana.org/assignments/media-types/media-types.xml>

2.4 Enumeration tables

List of enumeration tables used in the XML document. You can find the corresponding codes at:
<http://www.ebiz-tcf.eu/moda-ml/imple/moda-ml-2018-1.asp?lingua=en&pag=6>

Legenda

- N: new table
- U: updated properties

NT100 - eBIZ TCFUpstream version

NT16 - VAT rate or code

NT18 - message function

NT2 - third party qualifier

NT29 - format of a date

NT6 - coding system owner/issuer

NT60 - language, codes from ISO 639-1 (subset) (N)

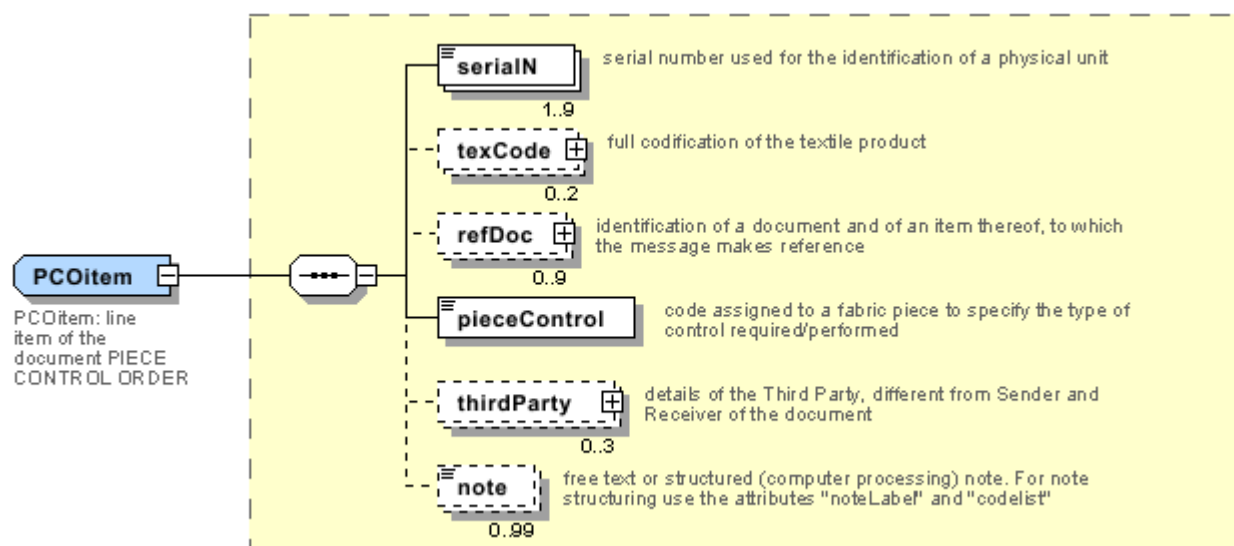
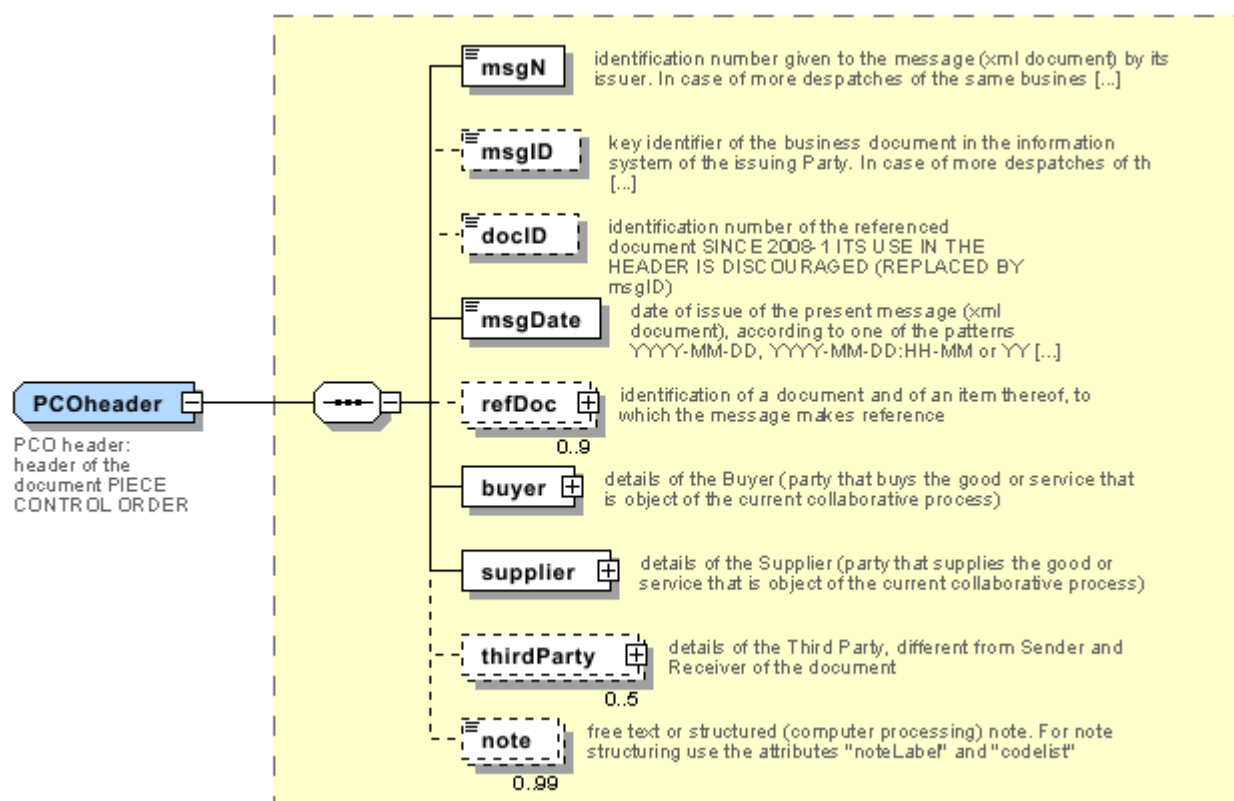
T10 - ISO3166 - Country

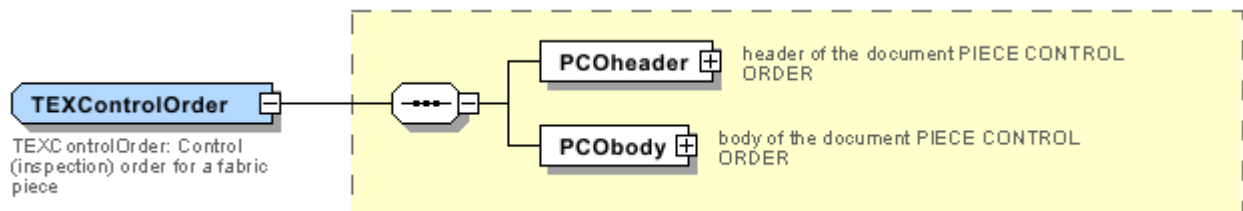
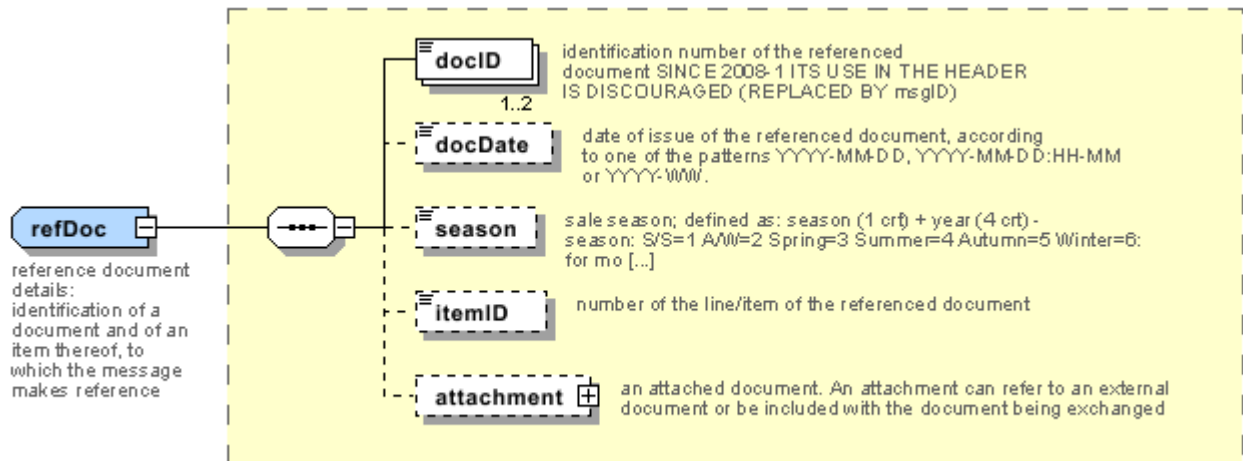
T21 - type of document

T44 - additional code type

Annex A

Representative images of the principal complex elements' structure.





Annex B

NT100 - eBIZ TCFUpstream version

dictionary version

Agency name: eBIZ

tabella cod.: NT100

File codes list (Generic code): http://www.ebiz.enea.it/moda-ml/repository/codelist/v2018-1/gc_NT100.xml

Code	Description	Adoption note	Version status	Date of insertion
2013-1	v2013-1			01/07/2013
2018-1	v2018-1		(N)	04/11/2018
draft	draft		(N)	08/09/2017

NT16 - VAT rate or code

VAT rate or code (DEPRECATED, use dtScheme element)

tabella cod.: NT16

File codes list (Generic code): http://www.ebiz.enea.it/moda-ml/repository/codelist/v2018-1/gc_NT16.xml

NT18 - message function

function performed by the present message with regards to the transmission

Agency name: eBIZ

tabella cod.: NT18

File codes list (Generic code): http://www.ebiz.enea.it/moda-ml/repository/codelist/v2018-1/gc_NT18.xml

Code	Description	Adoption note	Version status	Date of insertion
CA	delete this document			01/07/2013
CP	copy			
OR	original			
RC	re-transmission for data correction			
RT	re-transmission			

NT2 - third party qualifier

Third Party role qualifier

Agency name: eBIZ

tabella cod.: NT2

File codes list (Generic code): http://www.ebiz.enea.it/moda-ml/repository/codelist/v2018-1/gc_NT2.xml

Code	Description	Adoption note	Version status	Date of insertion
AG	Sales Agent			
AU	Auditor		(N)	08/04/2019
CE	Certification authority		(N)	08/04/2019
CO	Quality Controller			
DC	Response to			
DF	Invoicee			
DI	Copy to (CC)			28/10/2014
DM	Consignee			
DP	Consignment address (Delivery Party)			
IM	Importer			
OR	Originator			10/09/2014
SC	Sub contractor		(N)	10/04/2019
SM	Service/ePlatform manager		(N)	08/04/2019
SP	Forwarder			
TX	Tax Representative			

NT29 - format of a date

format used for the date

Agency name: eBIZ

tabella cod.: NT29

File codes list (Generic code): http://www.ebiz.enea.it/moda-ml/repository/codelist/v2018-1/gc_NT29.xml

Code	Description	Adoption note	Version status	Date of insertion
D	YYYY-MM-DD			
M	YYYY-MM-DD:HH-MM			
W	YYYY-WW			

NT6 - coding system owner/issuer

code specifying the organisation who has created or owns the coding or numbering system

Agency name: eBIZ

tabella cod.: NT6

File codes list (Generic code): http://www.ebiz.enea.it/moda-ml/repository/codelist/v2018-1/gc_NT6.xml

Code	Description	Adoption note	Version status	Date of insertion
CL	Customer/buyer			
CO	Quality Controller			
EB	eBIZ	replaces 'ML'	(N)	18/03/2019
EN	GS1 (ex-EAN International)			
ES	e-Stockflow			
FO	Supplier			
GS	GS1			01/07/2013
MF	VAT identifier		(U)	
ML	Moda-ML	DEPRECATED	(U)	
SP	Service Provider			

NT60 - language, codes from ISO 639-1 (subset) (N)

Agency name: eBIZ / ISO

tabella cod.: NT60

File codes list (Generic code): http://www.ebiz.enea.it/moda-ml/repository/codelist/v2018-1/gc_NT60.xml

Code	Description	Adoption note	Version status	Date of insertion
af	Afrikaans		(N)	31/01/2019
ar	Arabic		(N)	31/01/2019
be	Belarusian		(N)	31/01/2019
bg	Bulgarian		(N)	31/01/2019
bn	Bengali		(N)	31/01/2019
bo	Tibetan		(N)	31/01/2019
bs	Bosnian		(N)	31/01/2019
ca	Catalan, Valencian		(N)	31/01/2019
cs	Czech		(N)	31/01/2019
da	Danish		(N)	31/01/2019
de	German		(N)	31/01/2019
el	Greek, Modern (1453-)		(N)	31/01/2019
en	English		(N)	31/01/2019

eo	Esperanto		(N)	31/01/2019
es	Spanish, Castilian		(N)	31/01/2019
et	Estonian		(N)	31/01/2019
eu	Basque		(N)	31/01/2019
F	Female		(N)	15/04/2019
fa	Persian		(N)	31/01/2019
fi	Finnish		(N)	31/01/2019
fr	French		(N)	31/01/2019
ga	Irish		(N)	31/01/2019
gd	Gaelic, Scottish Gaelic		(N)	31/01/2019
gn	Guarani		(N)	31/01/2019
he	Hebrew		(N)	31/01/2019
hr	Croatian		(N)	31/01/2019
ht	Haitian, Haitian Creole		(N)	31/01/2019
hu	Hungarian		(N)	31/01/2019
hy	Armenian		(N)	31/01/2019
ia	Interlingua (International Auxiliary Language Association)		(N)	31/01/2019
id	Indonesian		(N)	31/01/2019
is	Icelandic		(N)	31/01/2019
it	Italian		(N)	31/01/2019
ja	Japanese		(N)	31/01/2019
jv	Javanese		(N)	31/01/2019
ka	Georgian		(N)	31/01/2019
km	Central Khmer		(N)	31/01/2019
ko	Korean		(N)	31/01/2019
ku	Kurdish		(N)	31/01/2019
lb	Luxembourgish, Letzeburgesch		(N)	31/01/2019
lo	Lao		(N)	31/01/2019
lt	Lithuanian		(N)	31/01/2019
lv	Latvian		(N)	31/01/2019
mg	Malagasy		(N)	31/01/2019
mk	Macedonian		(N)	31/01/2019
mn	Mongolian		(N)	31/01/2019
mt	Maltese		(N)	31/01/2019
nl	Dutch, Flemish		(N)	31/01/2019

no	Norwegian		(N)	31/01/2019
pl	Polish		(N)	31/01/2019
pt	Portuguese		(N)	31/01/2019
ro	Romanian, Moldavian, Moldovan		(N)	31/01/2019
ru	Russian		(N)	31/01/2019
se	Northern Sami		(N)	31/01/2019
sk	Slovak		(N)	31/01/2019
sl	Slovenian		(N)	31/01/2019
sm	Samoan		(N)	31/01/2019
so	Somali		(N)	31/01/2019
sq	Albanian		(N)	31/01/2019
sr	Serbian		(N)	31/01/2019
sv	Swedish		(N)	31/01/2019
sw	Swahili		(N)	31/01/2019
ta	Tamil		(N)	31/01/2019
th	Thai		(N)	31/01/2019
tr	Turkish		(N)	31/01/2019
uk	Ukrainian		(N)	31/01/2019
ur	Urdu		(N)	31/01/2019
uz	Uzbek		(N)	31/01/2019
vi	Vietnamese		(N)	31/01/2019
zh	Chinese		(N)	31/01/2019

T10 - ISO3166 - Country

code of the nation

Agency name: ISO

tabella cod.: T10

File codes list (Generic code): http://www.ebiz.enea.it/moda-ml/repository/codelist/v2018-1/gc_T10.xml

Table not printed: there are 239 elements, more than the maximum specified for printing: 99.

T21 - type of document

type or class to which the referenced document belongs

Agency name: eBIZ

tabella cod.: T21

File codes list (Generic code): http://www.ebiz.enea.it/moda-ml/repository/codelist/v2018-1/gc_T21.xml

Code	Description	Adoption note	Version status	Date of insertion
BOR	blanket order		(N)	01/02/2018
CAT	Price catalogue - tech sheet			
CEO	Certificate of origin		(N)	13/04/2018
CER	Certificate		(N)	13/04/2018
COC	colour card			
CRN	Credit note			08/09/2017
CTO	Checking order			01/07/2013
CTR	Contract		(U)	
CXF	CxF3 file			01/07/2013
DAD	Darn order			
DDT	ddt			
DEA	Despatch advise			
DER	Despatch request			
DR	Document Request			02/12/2014
FOR	Forecast			02/12/2014
GSO	Garment stock offer			
GSX	Garment stock offer change			
INV	Invoice			
KCC	Knitting-Clothing Commission Order			02/12/2014
KCI	Garment in Work Inventory Report			02/12/2014
M2M	Made to Measure Production Order			02/12/2014
MAS	Master marker			
MCI	Visual merchandising instruction		(N)	13/04/2018
OCH	Order change			
OFF	Offer			
ORD	Purchase order			
ORP	Order response			
OSR	order status request			
OSS	Offer status			02/12/2014
OST	Order status			
OUR	our reference			
QR	Quality Report			02/12/2014

RAI	Raw Material in Work Inventory Report			02/12/2014
RDC	Raw dyeing commission order			
RDH	Raw dyeing order change			
RDR	Raw dyeing order response			
REA	Receiving advise			
REQ	Request for Offer			
RET	Return			02/12/2014
RSC	Spinning commission order			
RSH	Spinning order change			
RSR	Spinning order response			
SCL	process sheet			
TFC	Textile dyeing-finishing commission order			
TFX	Textile Dyeing-Finishing Order Change			02/12/2014
TPC	Textile printing commission order			
TPX	Textile Printing Order Change			02/12/2014
TWI	Textile in work inventory			
VMI	visual merchandising instructions		(N)	01/02/2018
WAC	Warping commission order			
WEC	Weaving commission order			
YDC	Yarn dyeing commission order			
YDH	Yarn dyeing order change			
YDR	Yarn dyeing order response			
YTC	Twisting commission order			
YWI	Yarn in work inventory			

T44 - additional code type

qualifier of the additional coding of a product

Agency name: eBIZ

tabella cod.: T44

File codes list (Generic code): http://www.ebiz.enea.it/moda-ml/repository/codelist/v2018-1/gc_T44.xml

Code	Description	Adoption note	Version status	Date of insertion
CC	colour card			
CL	sales collection			
CO	company identification code		(N)	08/09/2017

DY	dye number			
LT	lot number			
MDI	Made in			08/09/2017
MS	manufacturing state			
PKG	packaging			09/09/2014
PL	product line			
RGB	RGB value			
SE	selvedge code			

Annex C

New or changed elements towards previous version

Changes or added elements (changes in description excluded; changes in aggregation notes and best practice included): 70

Test Type	Tag	Status	Item type	Changes related to
Attribute	additionalIdentifier	NEW	Additional Party Identifier	Has NEW attribute: numbering organisation code
Attribute	additionalIdentifier	NEW	Additional Party Identifier	Has NEW attribute: id Qualifier
Element()	additionalIdentifier	NEW	Additional Party Identifier	
Element(E)	art	UPD ATE D	article identifier	Property: Length_Max Old value: 25 New value: 80
Attribute	art	UPD ATE D	article identifier	Its attribute: code list reference Property: Aggregation Note_English Old value: <i>this attribute should be ALTERNATIVE to the others</i> New value: <i>at least one out of this attribute and "numberingOrg" should be set</i>
Element()	attachment	NEW	attachment	
Child	attachment	NEW	attachment	Has NEW child of: file name
Child	attachment	NEW	attachment	Has NEW child of: external reference
Child	attachment	NEW	attachment	Has NEW child of: binary object
Attribute	binary Object	NEW	binary object	Has NEW attribute: encoding
Attribute	binary Object	NEW	binary object	Has NEW attribute: mime
Attribute	binary Object	NEW	binary object	Has NEW attribute: format
Attribute	binary Object	NEW	binary object	Has NEW attribute: character set

Element()	binary Object	NEW	binary object	
Child	buyer	NEW	Buyer (*)	Has NEW child of: Party identifier
Child	buyer	NEW	Buyer (*)	Has NEW child of: Additional Party Identifier
Attribute	buyer	NEW	Buyer (*)	Has NEW attribute: sender Party qualifier
Element()	characterSet Code	NEW	character set code	
Element()	characterSet	NEW	character set	
Attribute	description	NEW	description	Has NEW attribute: ln
Element(E)	description	UPDATE	description	Property: Length_Max Old value: 70 New value: 250
Element(E)	email	UPDATE	e-mail	Property: Length_Max Old value: 80 New value: 250
Element()	encodingCode	NEW	encoding code	
Element()	encoding	NEW	encoding	
Child	externalReference	NEW	external reference	Has NEW child of: uri
Child	externalReference	NEW	external reference	Has NEW child of: format code
Child	externalReference	NEW	external reference	Has NEW child of: character set code
Child	externalReference	NEW	external reference	Has NEW child of: mime code
Child	externalReference	NEW	external reference	Has NEW child of: encoding code
Element()	externalReference	NEW	external reference	

Attr ib	pieceC ontrol	NE W	fabric pie ce control code	Has NEW attribute: code list reference
Attr ib	pieceC ontrol	NE W	fabric pie ce control code	Has NEW attribute: code list name
Attr ib	pieceC ontrol	NE W	fabric pie ce control code	Has NEW attribute: code list version
Attr ib	fileNa me	NE W	file name	Has NEW attribute: numbering organisation code
Ele m(l)	fileNa me	NE W	file name	
Ele m(l)	format Code	NE W	format co de	
Ele m(l)	format	NE W	format	
Attr ib	note	UPD ATE D	general n ote	Its attribute: numbering organisation code Property: Aggregation Note_English Old value: New value: <i>must be used to specify the organization that created the list o f codes used in "noteLabel"</i>
Ele m(l)	idQuali fier	NE W	id Qualifie r	
Ele m(l)	isURL	NE W	is URL	
Ele m(E)	legalN ame	UPD ATE D	Legal na me	Property: Length_Max Old value: 80 New value: 250
Ele m(E)	itemID	UPD ATE D	line item number	Property: Length_Max Old value: 6 New value: 40
Ele m(l)	In	NE W	In	
Ele m(l)	mimeC ode	NE W	mime cod e	
Ele m(l)	mime	NE W	mime	
Chil d	PCOhea der	NE W	PCO hea der	Has NEW child of: reference document details

Child	PCOheader	UPDATED	PCOheader	relationship with child: general note Property: Cardmax Old value: 19 New value: 99
Child	PCOitem	UPDATED	PCOitem	relationship with child: serial number Property: Cardmax Old value: 3 New value: 9
Child	PCOitem	UPDATED	PCOitem	relationship with child: serial number Property: Aggregation Note_English Old value: New value: <i>multiple values of serialN are allowed in order to provide different representations of the serial identifier of the same piece. Different instances of serialN must differ at least for one value of idQualifier or numberingOrg</i>
Child	PCOitem	UPDATED	PCOitem	relationship with child: Third Party Property: Cardmax Old value: 1 New value: 3
Child	PCOitem	UPDATED	PCOitem	relationship with child: general note Property: Cardmax Old value: 19 New value: 99
Child	PCOitem	UPDATED	PCOitem	relationship with child: reference document details Property: Cardmax Old value: 5 New value: 9
Child	refDoc	NEW	reference document details	Has NEW child of: attachment
Child	refDoc	UPDATED	reference document details	relationship with child: document identifier Property: BestPractice_English Old value: New value: <i>numberingOrg indicates the role that produced the document identifier (it is allowed to declare two different ones -e.g. customer and supplier - with two docID with different numberingOrg</i>
Attribute	season	NEW	season identifier	Has NEW attribute: code list reference
Attribute	season	NEW	season identifier	Has NEW attribute: numbering organisation code

Attr ib	season	NEW	season identifier	Has NEW attribute: code list name
Attr ib	season	NEW	season identifier	Has NEW attribute: code list version
Attr ib	serialN	NEW	serial number	Has NEW attribute: id Qualifier
Element (E)	serialN	UPDATE	serial number	Property: Length_Max Old value: 15 New value: 250
Element (I)	subDept	NEW	department identifier	
Child	supplier	NEW	Supplier (*)	Has NEW child of: Party identifier
Child	supplier	NEW	Supplier (*)	Has NEW child of: Additional Party Identifier
Attr ib	supplier	NEW	Supplier (*)	Has NEW attribute: sender Party qualifier
Child	texCode	UPDATE	Textiles product code	relationship with child: description Property: Aggregation Note_English Old value: New value: <i>Product description</i>
Child	texCode	UPDATE	Textiles product code	relationship with child: description Property: Cardmax Old value: 1 New value: 999
Child	thirdParty	NEW	Third Party (*)	Has NEW child of: Party identifier
Attr ib	thirdParty	NEW	Third Party (*)	Has NEW attribute: sender Party qualifier
Attr ib	uri	NEW	uri	Has NEW attribute: is URL
Element (I)	uri	NEW	uri	

Annex D

New or changed tables and codes towards previous version

Changes or added items (changes in CodeListAgencyName excluded; changes in adoption notes and code description included): 88

Test Type	Status	Table code	Table description	Code	Change description
Table	UPD ATED	NT 100	eBIZ TCFUpstream version		Description_English Old value: <i>eBIZ Moda-ML version</i> New value: <i>eBIZ TCFUpstream version</i>
Code	NEW	NT 100		<i>2018-1</i> (v2018-1)	
Code	NEW	NT 100		<i>draft</i> (draft)	
Table	UPD ATED	NT 16	VAT rate or code		Generalities Old value: <i>VAT rate or code (deprecated, use dtScheme element)</i> New value: <i>VAT rate or code (DE PRECATED, use dtScheme element)</i>
Code	NEW	NT 2		<i>AU</i> (Auditor)	
Code	NEW	NT 2		<i>CE</i> (Certification authority)	
Code	NEW	NT 2		<i>SC</i> (Sub contractor)	
Code	NEW	NT 2		<i>SM</i> (Service/ePlatform manager)	
Code	NEW	NT 6		<i>EB</i> (eBIZ)	
Code	UPD ATED	NT 6		<i>ML</i> (DEPRECATED)	adoption_note Old value: New value: <i>DEPRECATED</i>
Table	NEW	NT 60	language, codes from ISO 639-1 (subset)		
Code	NEW	NT 60		<i>F</i> (Female)	
Code	NEW	NT 60		<i>af</i> (Afrikaans)	
Code	NEW	NT 60		<i>ar</i> (Arabic)	
Code	NEW	NT 60		<i>be</i> (Belarusian)	

Co de	NEW	NT 60		<i>bg</i> (Bulgarian)	
Co de	NEW	NT 60		<i>bn</i> (Bengali)	
Co de	NEW	NT 60		<i>bo</i> (Tibetan)	
Co de	NEW	NT 60		<i>bs</i> (Bosnian)	
Co de	NEW	NT 60		<i>ca</i> (Catalan, Valencian)	
Co de	NEW	NT 60		<i>cs</i> (Czech)	
Co de	NEW	NT 60		<i>da</i> (Danish)	
Co de	NEW	NT 60		<i>de</i> (German)	
Co de	NEW	NT 60		<i>el</i> (Greek, Modern (1453-))	
Co de	NEW	NT 60		<i>en</i> (English)	
Co de	NEW	NT 60		<i>eo</i> (Esperanto)	
Co de	NEW	NT 60		<i>es</i> (Spanish, Castilian)	
Co de	NEW	NT 60		<i>et</i> (Estonian)	
Co de	NEW	NT 60		<i>eu</i> (Basque)	
Co de	NEW	NT 60		<i>fa</i> (Persian)	
Co de	NEW	NT 60		<i>fi</i> (Finnish)	
Co de	NEW	NT 60		<i>fr</i> (French)	
Co de	NEW	NT 60		<i>ga</i> (Irish)	
Co de	NEW	NT 60		<i>gd</i> (Gaelic, Scottish Gaelic)	
Co de	NEW	NT 60		<i>gn</i> (Guarani)	
Co de	NEW	NT 60		<i>he</i> (Hebrew)	
Co de	NEW	NT 60		<i>hr</i> (Croatian)	

Co de	NEW	NT 60		<i>ht</i> (Haitian, Haitian Creole)	
Co de	NEW	NT 60		<i>hu</i> (Hungarian)	
Co de	NEW	NT 60		<i>hy</i> (Armenian)	
Co de	NEW	NT 60		<i>ia</i> (Interlingua (International Au xiliary Language Association))	
Co de	NEW	NT 60		<i>id</i> (Indonesian)	
Co de	NEW	NT 60		<i>is</i> (Icelandic)	
Co de	NEW	NT 60		<i>it</i> (Italian)	
Co de	NEW	NT 60		<i>ja</i> (Japanese)	
Co de	NEW	NT 60		<i>ju</i> (Javanese)	
Co de	NEW	NT 60		<i>ka</i> (Georgian)	
Co de	NEW	NT 60		<i>km</i> (Central Khmer)	
Co de	NEW	NT 60		<i>ko</i> (Korean)	
Co de	NEW	NT 60		<i>ku</i> (Kurdish)	
Co de	NEW	NT 60		<i>lb</i> (Luxembourgish, Letzeburge sch)	
Co de	NEW	NT 60		<i>lo</i> (Lao)	
Co de	NEW	NT 60		<i>lt</i> (Lithuanian)	
Co de	NEW	NT 60		<i>lv</i> (Latvian)	
Co de	NEW	NT 60		<i>mg</i> (Malagasy)	
Co de	NEW	NT 60		<i>mk</i> (Macedonian)	
Co de	NEW	NT 60		<i>mn</i> (Mongolian)	
Co de	NEW	NT 60		<i>mt</i> (Maltese)	

Co de	NEW	NT 60		<i>nl</i> (Dutch, Flemish)	
Co de	NEW	NT 60		<i>no</i> (Norwegian)	
Co de	NEW	NT 60		<i>pl</i> (Polish)	
Co de	NEW	NT 60		<i>pt</i> (Portuguese)	
Co de	NEW	NT 60		<i>ro</i> (Romanian, Moldavian, Mold ovan)	
Co de	NEW	NT 60		<i>ru</i> (Russian)	
Co de	NEW	NT 60		<i>se</i> (Northern Sami)	
Co de	NEW	NT 60		<i>sk</i> (Slovak)	
Co de	NEW	NT 60		<i>sl</i> (Slovenian)	
Co de	NEW	NT 60		<i>sm</i> (Samoan)	
Co de	NEW	NT 60		<i>so</i> (Somali)	
Co de	NEW	NT 60		<i>sq</i> (Albanian)	
Co de	NEW	NT 60		<i>sr</i> (Serbian)	
Co de	NEW	NT 60		<i>sv</i> (Swedish)	
Co de	NEW	NT 60		<i>sw</i> (Swahili)	
Co de	NEW	NT 60		<i>ta</i> (Tamil)	
Co de	NEW	NT 60		<i>th</i> (Thai)	
Co de	NEW	NT 60		<i>tr</i> (Turkish)	
Co de	NEW	NT 60		<i>uk</i> (Ukrainian)	
Co de	NEW	NT 60		<i>ur</i> (Urdu)	
Co de	NEW	NT 60		<i>uz</i> (Uzbek)	
Co de	NEW	NT 60		<i>vi</i> (Vietnamese)	

Code	NEW	NT60		zh (Chinese)	
Code	NEW	T21		BOR (blanket order)	
Code	NEW	T21		CEO (Certificate of origin)	
Code	NEW	T21		CER (Certificate)	
Code	UPD ATED	T21		CTR (Contract)	Text_English Old value: <i>contract</i> New value: <i>Contract</i>
Code	NEW	T21		MCI (Visual merchandising instruction)	
Code	NEW	T21		VMI (visual merchandising instructions)	
Code	NEW	T44		CO (company identification code)	